

Material:

1.Housing: Nylon, PBT(UL94V-0)
Color: Black, Gray or other color

2.Contact Pin

Round Pin: 0.46mm diameter phosphor bronze plated with gold plating over nickel. Plate 3u"/6u"/15u"/30u"/50u" min. hard gold on top of 100u" nickel plated.

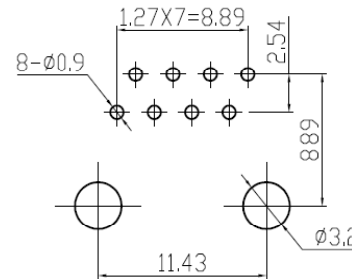
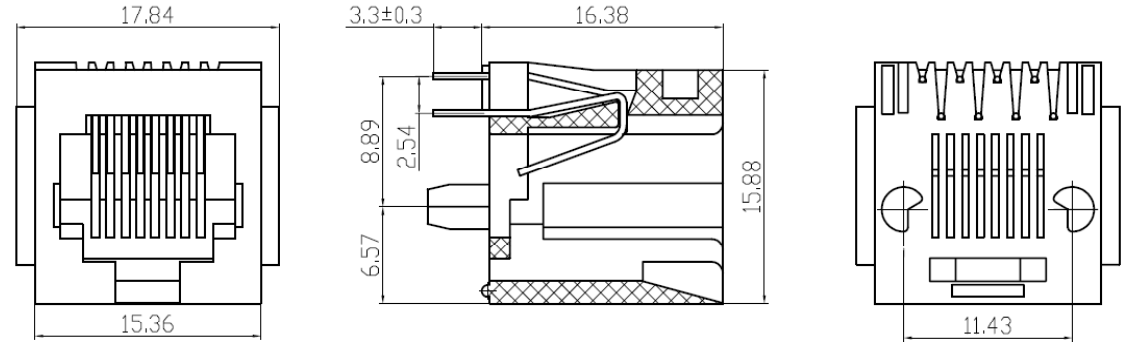
Flat Pin: 0.35mm thick phosphor bronze plated with gold plating over nickel. Plate 3u"/6u"/15u"/30u"/50u" min. hard gold on top of 100u" nickel plated.

3.Shielding: 0.2 thickness brass with nickel plated.

Specifications:

Electrial

- 1.Current Rating: 1.5 Amp Max. @25°C.
- 2.Voltage rating: 125 Volts AC max.
- 3.Insulation Resistance: 500 Megohms min.
- 4.Contact resistance: 30 Megohms max.
- 5.Dielectric Withstanding Voltage: 1000V AC RMS 50Hz or 60Hz per min.
- 6.Shielding Effectiveness: 20dB min., 10 to 200Mhz.



PC Board Layout

CUSTOMER	REV.	CONTENTS	DATE	HO CHIEN www.hochien.com						
PROJ.				Title: RJ45 JACK CONNECTOR						
Tolerance Inch: .000 = ±0.01 .0000 = ±0.050 mm: .00 = ±0.25 .000 = ±0.130 Ang: 0.0 = ±2°	Drawer	YF Luo		Part No:		YND1122-21001				
	Checked	Min Yang		Sheet	1	Scale	as Show	Size	A0	
	Approve	ZG Yang		Units	mm	Ref.	A			
	Date	2010.08.01								