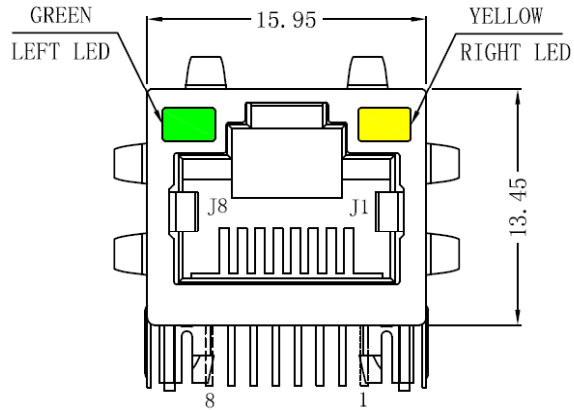
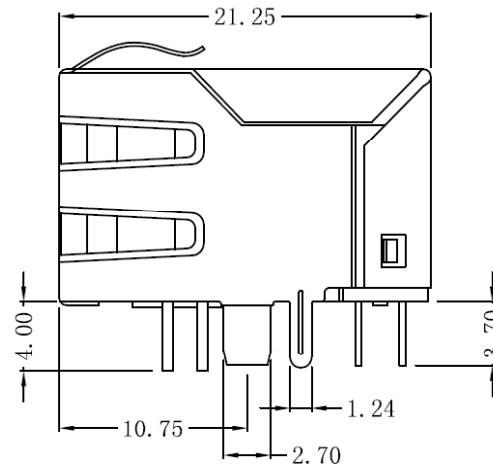


Mechanical :

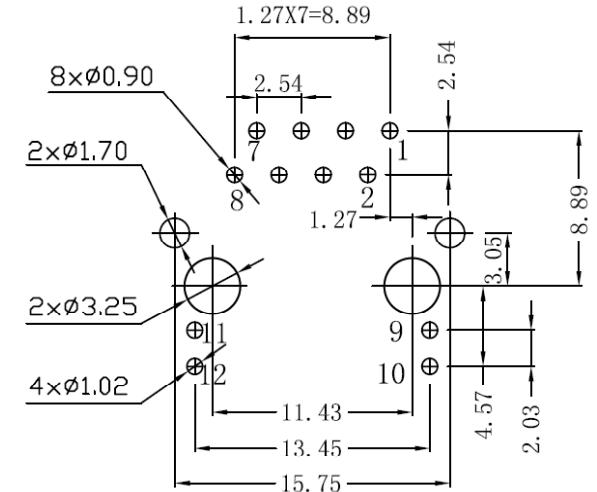
REV.	ECN NO.	DESCRIPTION	DATE	APPD
A	REL		08/11/2007	



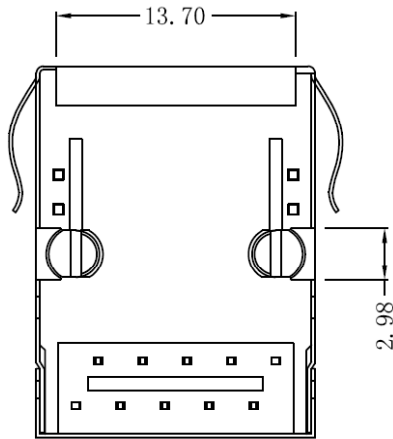
Front Side View



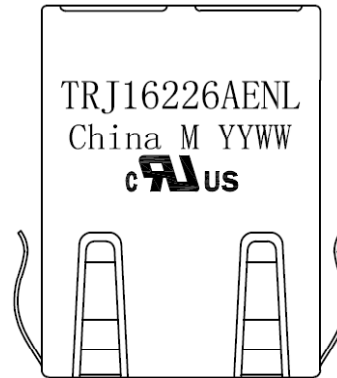
Left Side View



Suggested PCB Layout (Top View)



Bottom Side View



Top Side View

NOTES:

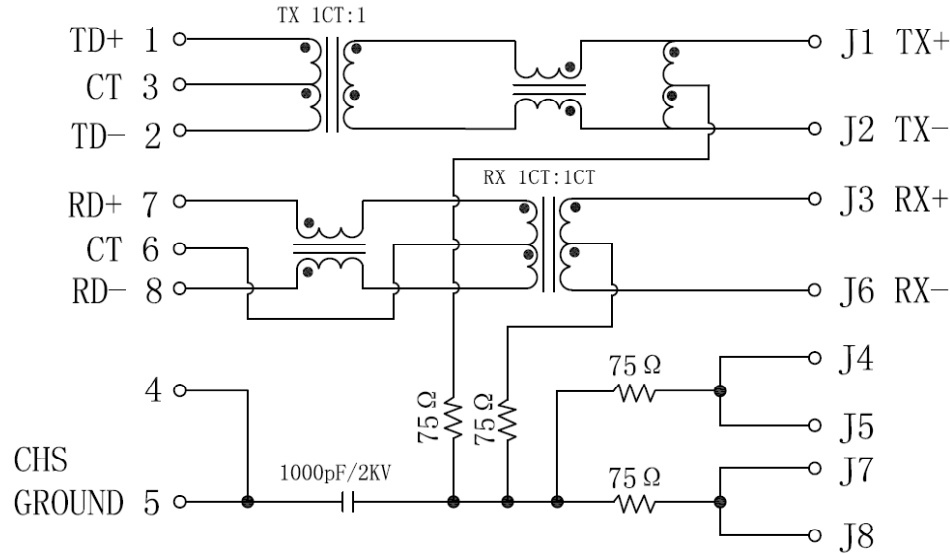
1. Designed to support application, such as SOHO (ADSL modems), LAN-on-Motherboard (LOM), hub and Switches.
2. Meets IEEE 802.3 specification
3. Connector Materials:
Housing: Thermoplastic PBT+30%G.F UL94V-0
Contact: Phosphor Bronze C5210R-EH Thickness=0.35mm
Pins: Brass C2680R-H Thickness=0.35mm
Shield: SUS 201-1/2H Thickness=0.2mm
Contact plating: Gold 6 micro-inches Min. In contact area.
4. Wave solder tip temperature: 265°C Max, 5 Sec Max.
5. UL Certification: File Number E321120.

X:X	±0.30	APPD:	HO CHIEN www.hochien.com	
X:XX	±0.25	CHKD:		
X:XXX	±0.05	DR: C.H.Y	TITLE: RJ45 Connector With 10/100 Base-TX Integrated Magnetic TAB-UP	
ANGLES	±1°	UNIT: mm	PART NO.: TRJ16226AENL	
	SCALE: 2/1	SHEET: 1/2	REV: A	DWG NO:

Schematic:

REV.	ECN NO.	DESCRIPTION	DATE	APPD
A	REL		08/11/2007	

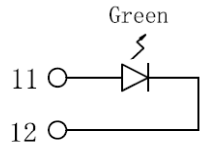
PC BOARD CONNECTIONS



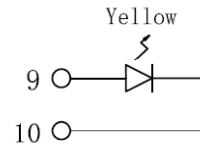
RJ45 CONNECTOR

Electrical Specifications @25°C

- Turns Ratio ($\pm 3\%$):
TX=1CT:1 RX=1CT:1CT
- Inductance OCL: 350uH Min
@100KHz, 100mV, .8mA DC Bias Current
- Insertion Loss:
0.1-100MHz: -1.0dB Max
- Return Loss (dB Min):
1-30MHz: -18
40MHz: -16
50MHz: -14
60-80MHz: -12
- Crosstalk:
0.3-80MHz: -30dB Min
- Isolation Voltage: 1500Vrms
- Operating Temperature: 0°C ~ 70°C



Left LED



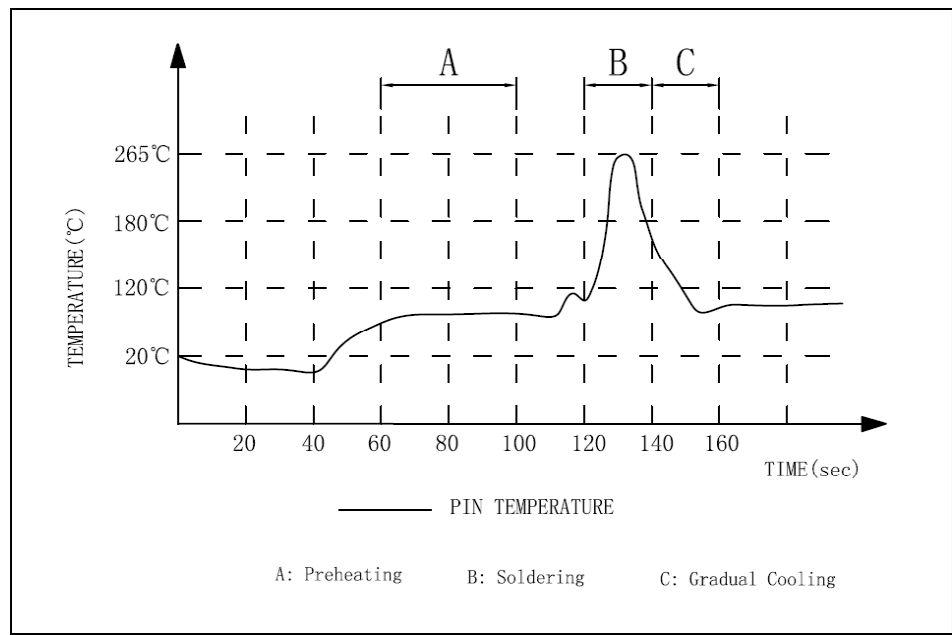
Right LED

Emitting Color	λ_p (nm)	$V_F@I_F=20mA$	$I_R@V_R=5V$
Green	570	1.8~2.6V	10 μ A max
Yellow	585	1.8~2.6V	10 μ A max

X:X	± 0.30	APPD:	HO CHIEN <i>www.hochien.com</i>	
X:XX	± 0.25	CHKD:		
X:XXX	± 0.05	DR: C. H. Y	TITLE: RJ45 Connector With 10/100 Base-TX Integrated Magnetic TAB-UP	
ANGLES	$\pm 1^\circ$	UNIT: mm	PART NO.: TRJ16226AENL	
	SCALE: 2/1	SHEET: 2/2	REV: A	DWG NO:



SUGGESTED PROFILE OF WAVE SOLDER FOR ROHS PRODUCT



- (1) Tip Temperature: 265°C max
 - (2) Tip Temperature time: 5sec max
- Note: The melting point of Tin: 219°C

HO CHIEN

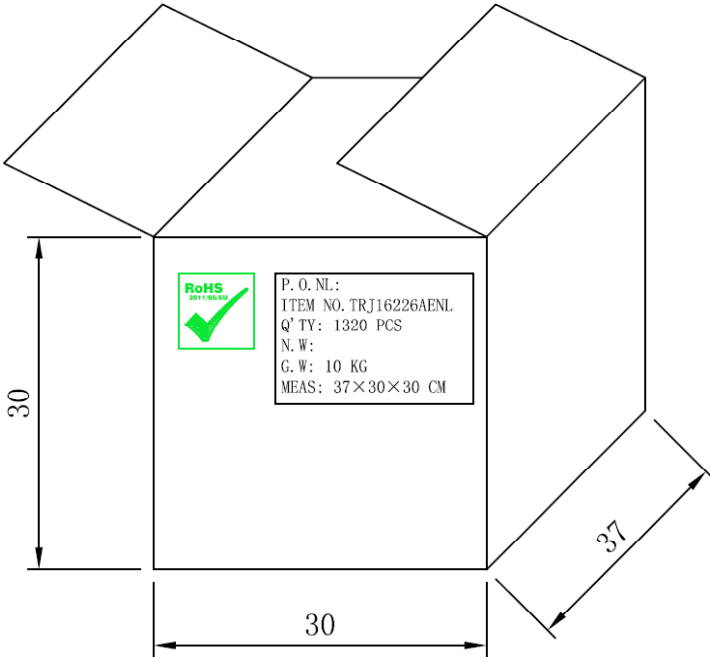
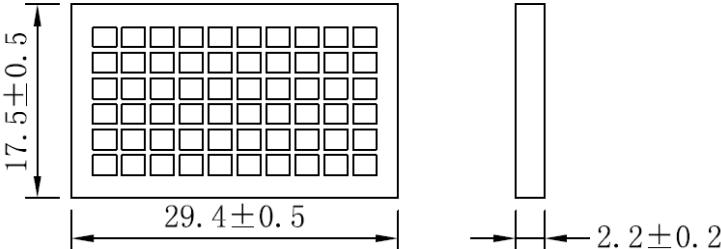
PACKAGING

Part number: TRJ16226AENL

- 1. Packaging unit: 60PCS/tray
- 2. Packaging material: PVC
- 3. Packaging shape: [Unit=cm]

4. Outer carton

Unit: 22Trays with plastic bag / outer carton (1320PCS) (G.W.:10 Kg)



ORDER INFORMATION:
MOQ 5280PCS IN FOUR CTNS