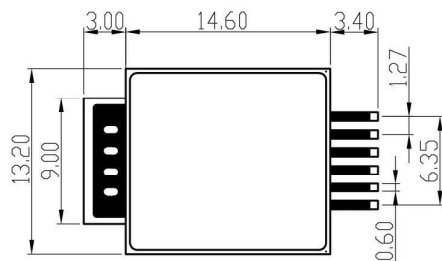
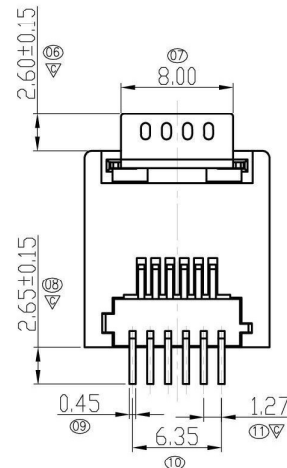
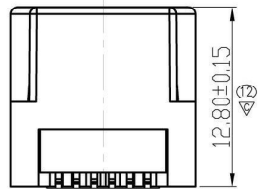
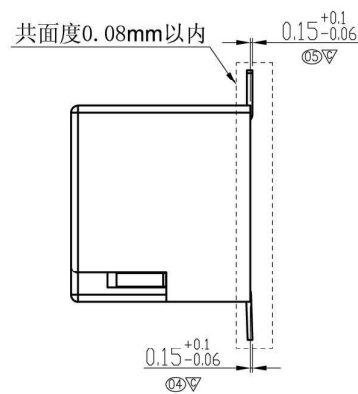
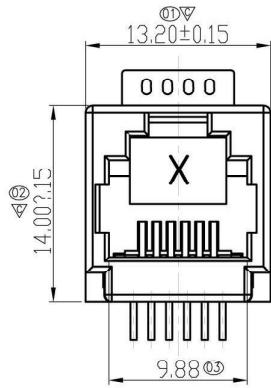


4		
REV	ECN NO.	DATE



PCB LAYOUT/TOP VIEW  
TOLERANCE=±0.05

**ELECTRICAL:**  
 CURRENT RATING: 1.5AMPS  
 VOLTAGE RATING: 125V AC  
 INSULATION RESISTANCE: 500M MINI  
 WITHSTAND VOLTAGE: AC 1000V RMS 50Hz OR 60Hz 1MIN  
 CONTACT RESISTANCE: 20m MAX

**MECHANICAL:**  
 MATING FORCE: 2.2KG. F MAX  
 RETENTION STRENGTH: 7.7KG. F BETWEEN JACK AND PLUG  
 DURABILTY: 750MATING CYCLES MINI

**MATERIAL:**  
 HOUSING: LCP, UL94V0  
 CONTACT WIRE: 0.35mm DIAMETER PHOSPHOR BRONZE (C5191)  
 OPTIONAL GOLD PLATING  
 GOLD PLATING: 3 INCH, 6 INCH, 15 INCH, 30 INCH, 50 INCH  
 METAL GASKET : 0.40mm THICKNESS, NICKEL PLATED COPPER ALLO (C2680)

RoHS Compliant

TOLERANCES		DATE	Ho Chien www.hochien.com	
mm			TITLE	
.0± 0.30	±	MATERIAL	RJ11 SMT 6P6C	
.00± 0.25	±	FINISH	PART NO.	
.00± 0.10	±		SIZE	
ANGLES ± 1°		SCALE	1:1	UNIT
THIRD ANGLE PROJECTION		mm		mm
Designed		Checked	Approved	SHEET 1 OF 1