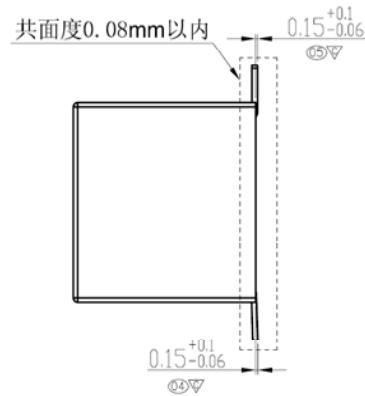
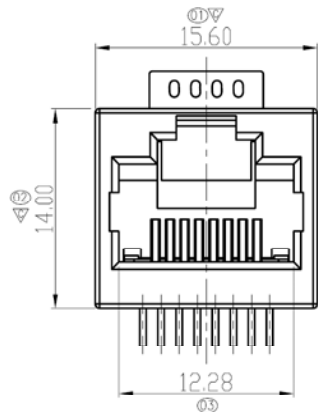


REV	ECN NO.	DATE



ELECTRICAL:

CURRENT RATING:1.5AMPS

VOLTAGE RATING:125V AC

INSULATION RESISTANCE:500M MINI

WITHSTAND VOLTAGE:AC 1000V RMS 50Hz OR 60Hz 1MIN

CONTACT RESISTANCE:20m MAX

MECHANICAL:

MATING FORCE: 2.2KG.F MAX

RETENTION STRENGTH:7.7KG.F BETWEEN JACK AND PLUG

DURABILTY:750MATING CYCLES MINI

MATERIAL:

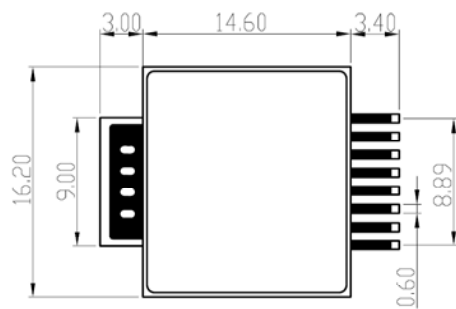
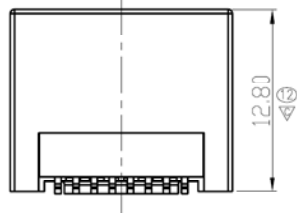
HOUSING:LCP, UL94V0

CONTACT WIRE:0.35mm DIAMETER PHOSPHOR BRONZE (C5191)

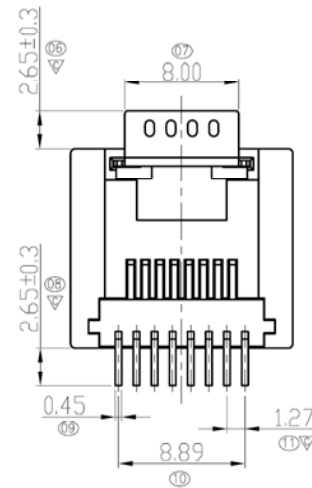
OPTIONAL GOLD PLATING

GOLD PLATING: 3 INCH, 6 INCH, 15 INCH, 30 INCH, 50 INCH

METAL GASKET : 0.40mm THICKNESS, NICKEL PLATED COPPER ALLO (C2680)



PCB LAYOUT/TOP VIEW
TOLERANCE=±0.05



TOLERANCES 公差		DATE 日期	2011-03-11		HO CHIEN www.hochien.com		
.08 ± 0.38	±	MATERIAL 材质					
.00 ± 0.25	±	FINISH 电镀			PART NO. 料号	TM-528811SMT	
.000 ± 0.15	±	ANGLES ± 1°	SCALE 比例	1:1	UNIT 单位	mm	
THIRD ANGLE PROJECTION		DESIGNED 设计	张旺新	CHECKED 审核	19	APPROVED 核准	SHEET 1 OF 1
						SIZE A4	