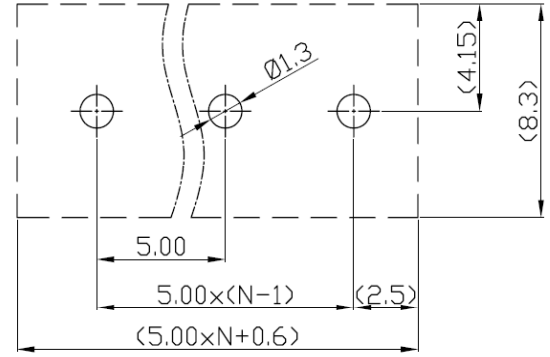
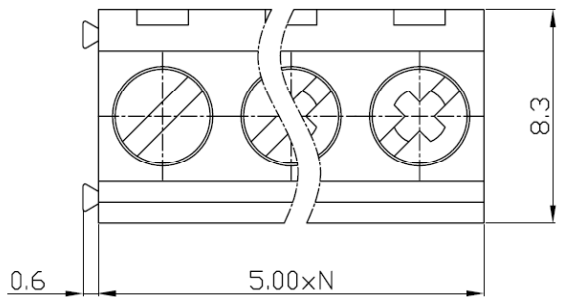


**CUSTOMER COPY**

**RoHS compliant**

REVISION DATA				
SYM	ECN	DESCRIPTION	DATE	APPROVED



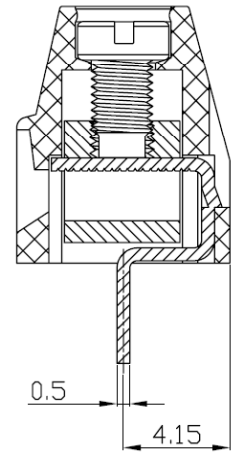
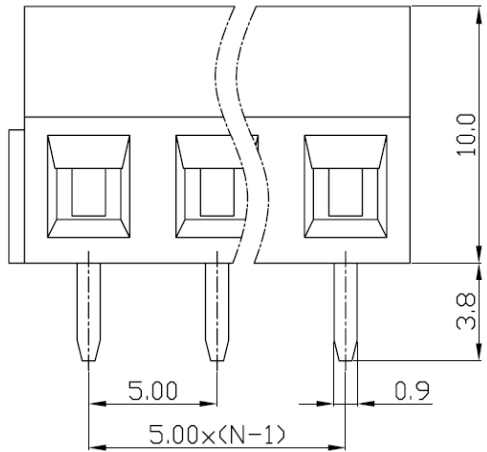
Remmended P.C.B Layout

**Technical Data**

1. Material:  
 Insulator: NY66, UL94V-0 RoHS  
 Screw: steel M3, galvanized plated  
 Cage clamp: brass (CuZn), nickel plated  
 Terminal: brass (CuZn), tin plated

2. Electrical:  
 Current rating: 10A  
 Voltage rating: 300V  
 Contact resistance:  $\leq 20m\Omega$   
 Insulation resistance:  $\geq 5000M\Omega$   
 Withstanding Voltage: 1600V AC/minute

3. Mechanical:  
 Wire range: 26~16AWG  
 Screw torque: 3.5Lb-in  
 Wire strip length: 5-6mm  
 Operating temperature: -40°C to +105°C  
 Soldering temperature: 245°C  $\pm$  10°C/5S



**Ordering information**

<b>RFA</b>	<b>XX</b>	<b>X</b>	<b>X</b>	<b>X</b>	<b>1</b>	<b>X</b>	<b>00</b>
Number of contacts	Pitch	Screw & Clamp	Color	Mark	Serial No.		

02~24(pitch3.5/3.81)  
 02~24(pitch5.0)  
 02~12(pitch10.0)  
 (02&03 contacts stackable)

6 5.00/.197"  
 H 10.0/.394"

0 "-" / "+" Combination type w/ brass machined clamp  
 1 "-" Slot type w/ brass machined clamp

0 Black  
 3 Orange  
 5 Green  
 6 Blue  
 8 Grey  
 (Underline is standard)

0 No mark  
 1 natconn  
 2 Customer  
 3 Others

00 Standard  
 01~99 Any special item by customer request

**HO CHIEN**  
 www.hochien.com

TOLERANCE:	PROJECTION		TITLE:
ANGLE $\pm 2^\circ$	DATE	2011/11/05	RFA(5.00) Terminal Block
X.XXX $\pm 0.01$	DRAWN	Sullen	CUSTOMER: N/A
X.XX $\pm 0.25$	CHECKED		CUSTOMER P/N: N/A
X.X $\pm 0.35$	APPROVED		PART NO.: RFA6XXX1X00
X. $\pm 0.50$			DRAWING NO.: RFA6XXX1X00
			REV: A
			SIZE: A4
			UNIT: mm
			SCALE: 4:1
			SHEET: 1/1