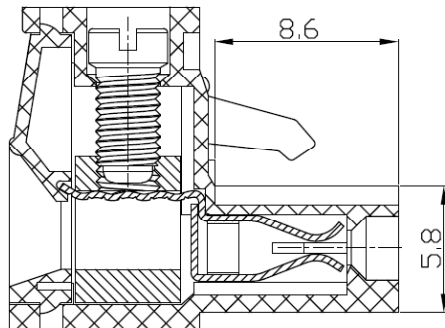
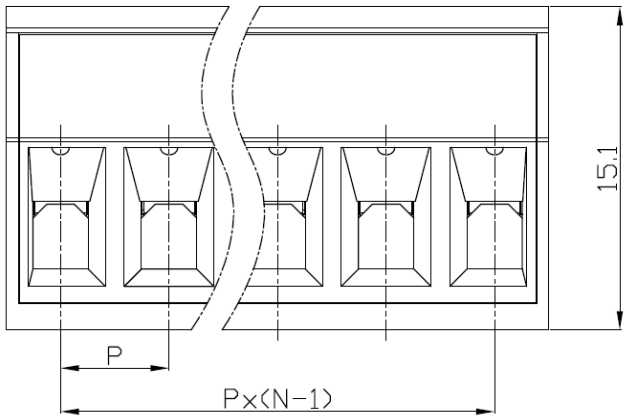
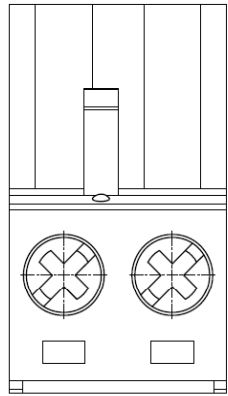
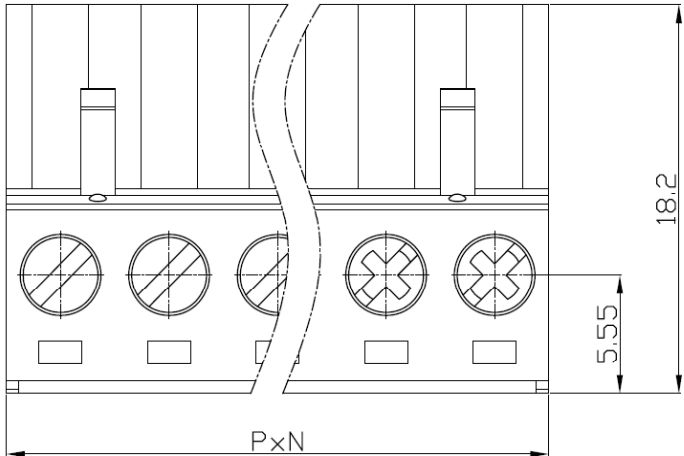


CUSTOMER COPY



REVISION DATA				
SYM	ECN	DESCRIPTION	DATE	APPROVED



Technical Data

- Material:
 - Insulator: NY66, UL94V-0 RoHS
 - Contact clamp: phosphor bronze, nickel plated
 - Cage clamp: brass (CuZn), nickel plated
 - Screw: steel M3, galvanized plated
- Electrical:
 - Current rating: 15A
 - Voltage rating: 300V
 - Contact resistance: $\leq 20m\Omega$
 - Insulation resistance: $\geq 5000M\Omega$
 - Withstanding Voltage: 1600V AC/minute
- Mechanical:
 - Wire range: 24~12AWG
 - Screw torque: 5Lb-in
 - Wire strip length: 7-8mm
 - Operating temperature: -40°C to +105°C
 - Safely approval: file No.: E355923

Ordering information

PJC	XX	X	X	X	0	X	00
Number of contacts	Pitch	Screw & Clamp	Color	Body type	Mark	Serial No.	
02~24 (pitch 5.0 / 5.08) 02~12 (pitch 10.0 / 10.16) (Solid block)	6 5.0 / .197" 7 5.08 / .20" H 10.0 / .394" I 10.16 / .40"	0 "- / +" Combination type w/ brass machined clamp 1 "- Slot type w/ brass machined clamp	0 Black 3 Orange 5 Green 6 Blue 8 Grey (Underline is standard)	0 Without flange	0 No mark 1 natconn 2 Customer 3 Others	00 Standard 01~99 Any special item by customer request	

HO CHIEN
www.hochien.com

TOLERANCE:	PROJECTION	TITLE:	PJC Terminal Block		
ANGLE $\pm 2^\circ$	DATE	2011/11/05			
X.XXX ± 0.01	DRAWN	Sullen	CUSTOMER:	CUSTOMER P/N:	REV:
X.XX ± 0.25	CHECKED		N/A	N/A	N/A
X.X ± 0.35	APPROVED		PART NO.:	DRAWING NO.:	REV:
X. ± 0.50				PJCXXXXX0X00	A
			SIZE: A4	UNIT: mm	SHEET: 1/1
			SCALE: 4:1		