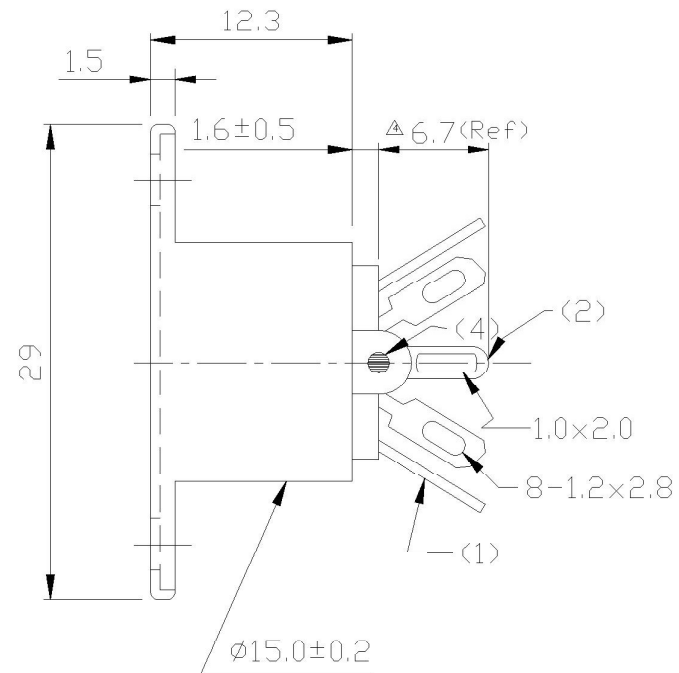
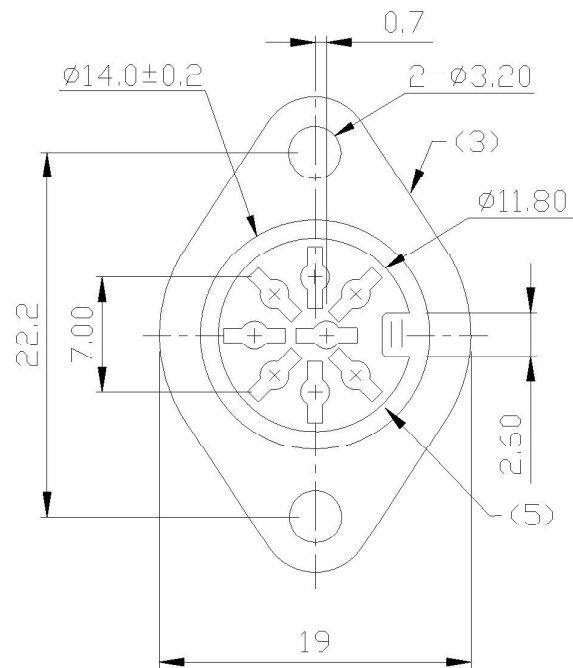


HISTORY X COUNT	DATE	ECN NO.	REV.	REVISION	SIGN.
△ x1	12/29/05'		E	變更圖面尺寸	CHRIS
△ x1	08/23/06'		F	圖面重繪, 新增MATERIL	VICKY
△ x1	07/23/07'		G	孔位圖面錯誤, 重新標示。	CHRIS
△ x1	11/04/08'		H	修改標示尺寸。	LEO



NO	PART NAME	Q'TY	MATERIAL	PLATED	REMARK
5	MOUTH BUSHING	1	PBT-94V0		BLACK
4	ALUMINUM RIVET	1			
3	COVER	1	IRON SHEET	NICKLE	
2	SLEEVE	1	P.B.S	SILVER	
1	CONTACT	8	BRASS	SILVER	

HO CHIEN
www.hochien.com

TOLERANCE	Material	PART NAME	DIN JACK		
X. ±0.5	Thickness		PART NO.	LN 0505 008	
X.X ±0.3	Disposal	DATE	10/13/88'	REV:H	
X.XX ±0.15	UNIT	DRAW	CHECK	APPROVE	
⊕	mm	SCALE	VICKY	CHRIS	COOPER
		2:1			