

REVISION RECORD				
REV	ECO	DESCRIPTION	DRFT	CHKD

NOTES:

MATERIAL :

- |                    |  |
|--------------------|--|
| 1.HOUSING MATERIAL | :GLASS FILLED POLYESTER UL94V-0.                   |
| 2.CONTACT MATERIAL | :PHOSPHOR BRONZE $\phi 0.46$ mm.                   |
| 3.PLATING          | :GOLD PLATING OVER NICKEL.                         |
| 4.SHIELD           | :0.23mm THICKNESS COPPER ALLOY WITH NICKEL PLATED. |
| 5.LED              | :OPTION  |

ELECTRICAL:

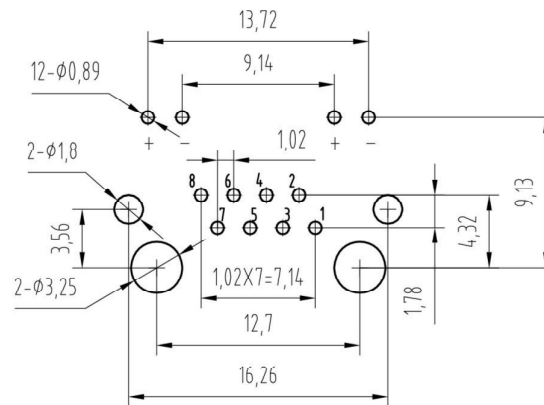
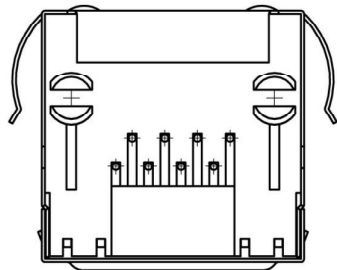
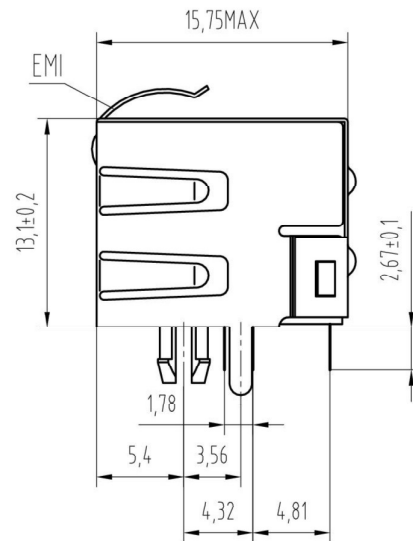
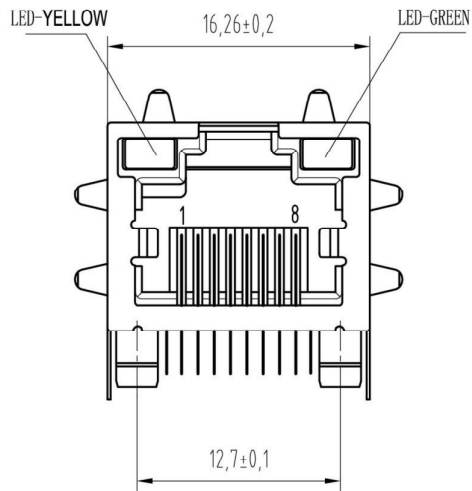
- |                                      |                              |
|--------------------------------------|------------------------------|
| 1.VOLTAGE RATING                     | :125 VAC RMS.                |
| 2.CURRENT RATING                     | :1.5 AMP.                    |
| 3.CONTACT RESISTANCE                 | :30 MILLIOHMS MAX.           |
| 4.INSULATION RESISTANCE              | :500 MEGOHMS MIN @ 500V DC . |
| 5.DIELECTRIC WITHSTANDING RESISTANCE | :1000V AC RMS 50Hz. 1MIN.    |

MECHANICAL:

- |                            |                  |
|----------------------------|------------------|
| 1.DURRABILITY              | :750 CYCLES MIN. |
| 2.PCB RETENTION PRE-SOLDER | :1 LB MIN.       |

ENVIRONMENTAL:

- |              |                |
|--------------|----------------|
| 1. STORAGE   | : -40°C~+85°C  |
| 2. OPERATION | : 0°C TO 70°C. |



PC Board Layout  
Component Side Shown

MM (INCH)		DFTD	DATE	Ho Chien www.hochien.com
TOLERANCES EXCEPT AS NOTED		CHKD	DATE	
MM		APPV	DATE	
.00 ± 0.25		MATERIAL :		
.00 ± 0.15		QTY :		TITLE RJ45, 8P8C, LED
.00 ± 0.10		FINISH :		
ANGLES ± 0.5		SCALE :		
THIRD ANGLE PROJECTION		DRAWING NO.		SIZE A3
		PART NO. HC-068SH8FR1BYG		REV 0
		DO NOT SCALE DRAWING		SHEET X OF Y