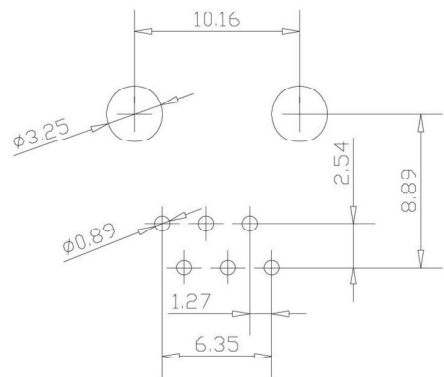
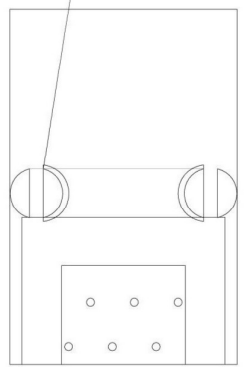
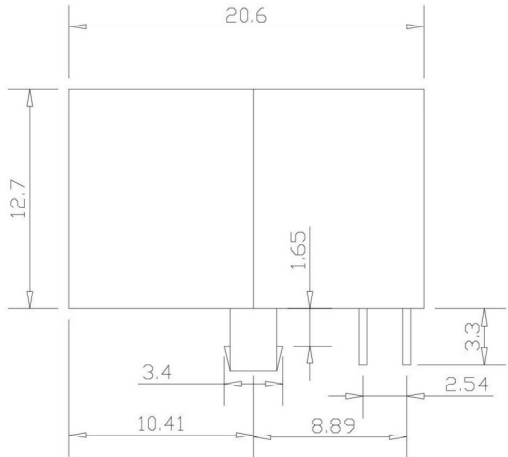
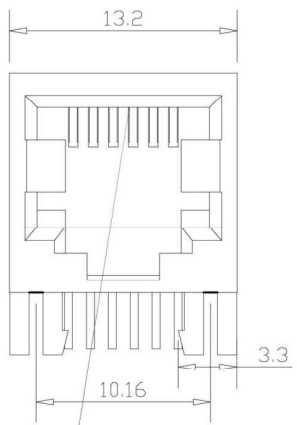


| | | |
|-----|---------|------|
| REV | ECN NO. | DATE |
| | | |



PC Board Layout

NOTES

MATERIAL

- 1. HOUSING MATERIAL : GLASS FILLED POLYESTER UL94V-0.
- 2. CONTACT MATERIAL : PHOSPHOR BRONZE $\phi 0.46$ mm.
- 3. PLATING : GOLD PLATING OVER NICKEL.
- 4. : FU", 3U", 6U", 15U", 30U", 50U".

ELECTRICAL

- 1. VOLTAGE RATING : 125 VAC RMS.
- 2. CURRENT RATING : 1.5 AMP.
- 3. CONTACT RESISTANCE : 30 MILLIOHMS MAX.
- 4. INSULATION RESISTANCE : 500 MEGOHMS MIN @ 500V DC .
- 5. DIELECTRIC DIELECTRIC RESISTANCE : 1000V AC RMS 50Hz. 1MIN.

MECHANICAL

- 1. DURRABILITY : 750 CYCLES MIN.
- 2. PCB RETENTIONPRE-SOLDER : 1 LB MIN.

ENVIRONMENTAL :

- 1. STORAGE : -40°C ~ +85°C.
- 2. OPERATION : 0° C TO 70° C.

RoHS Compliant

| | | | | | | | |
|------------------------|------|----------|----------|------------------------------------|--|-----------|--|
| TOLERANCES | | DATE | | Ho Chien www.hochien.com | | | |
| mm | | MATERIAL | | | | TITLE | |
| .0± 0.30 | ± | FINISH | | | | RJ11 JACK | |
| .00± 0.25 | ± | SCALE | | PART NO. | | | |
| .000± 0.10 | ± | 1:1 | UNIT | HC-007-6-D-L4 | | | |
| ANGLES | ± 1° | mm | mm | SIZE | | | |
| THIRD ANGLE PROJECTION | | Designed | Checked | A4 | | | |
| | | 04 | Approved | SHEET 1 OF 1 | | | |