


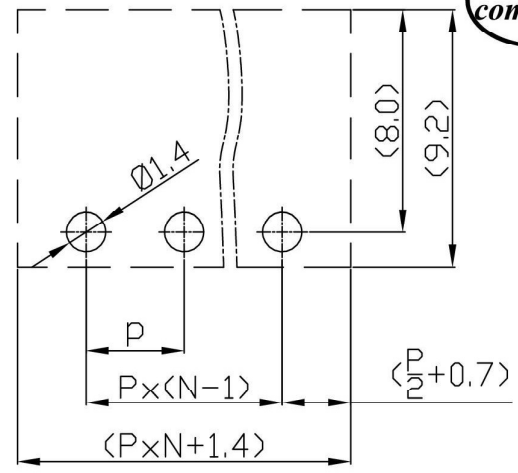
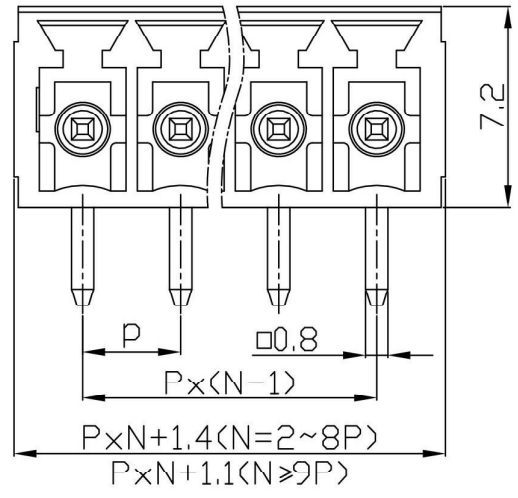
REVISION DATA

SYM	ECN	DESCRIPTION	DATE	APPROVED

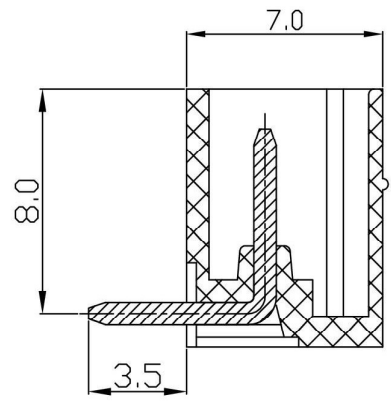
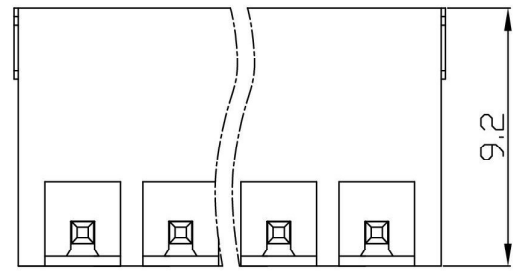
RoHS
compliant

Technical Data

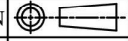
- Material:
Insulator: NY66, UL94V-0 RoHS
Solder pin: brass, tin plated
- Electrical:
Current rating: 10A
Voltage rating: 300V
Contact resistance: $\leq 20m\Omega$
Insulation resistance: $\geq 5000M\Omega$
Withstanding Voltage: 1600V AC/minute
- Mechanical:
Operating temperature: $-40^{\circ}C$ to $+105^{\circ}C$
Soldering temperature: $245^{\circ}C \pm 10^{\circ}C/5S$
Safety approval:  us, file No.: E35592



Remmended P.C.B Layout



Ho Chien
www.hochien.com

TOLERANCE: ANGLE $\pm 2^{\circ}$ X.XXX ± 0.01 X.XX ± 0.25 X.X ± 0.35 X. ± 0.50	PROJECTION		TITLE: TERMINAL BLOCK, R/A TYPE		
	DATE		CUSTOMER: N/A	CUSTOMER P/N: N/A	REV: N/A
	DRAWN		PART NO.:	DRAWING NO.:	REV:
	CHECKED		ET88704-260		
	APPROVED		SIZE: A4	UNIT: mm	SCALE: 4:1