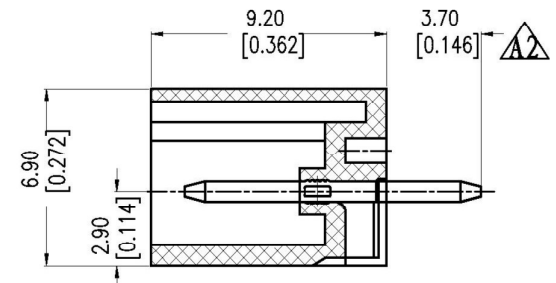
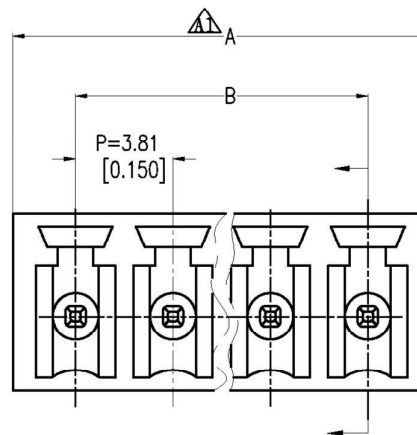
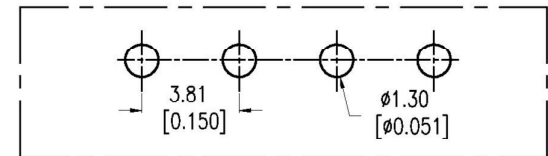
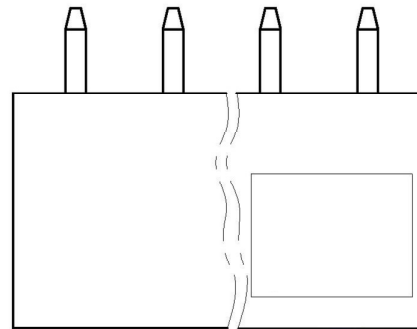


# HSF

NOTES:  
 Current Rating:8A  
 Voltage Rating:300V  
 Contact Resistance:8milliohm Max  
 Withstand Voltage:AC2000V  
 Insulation Resistance:1000Megohm Min  
 Operation Temperature:-40°C to +105°C

Housing Material:PA66+30%GF(UL94V-0)  $\Delta 3$   
 Contact Material:Brass

Recommended P. C. B Layout (Top Side)  
 (PCB BOARD TOLERANCE  $\pm 0.05$ )



11P	43.30 ±0.20	38.10 ±0.20			
10P	39.49 ±0.20	34.29 ±0.20	20P	77.59 ±0.30	72.39 ±0.30
9P	35.68 ±0.20	30.48 ±0.20	19P	73.78 ±0.30	68.58 ±0.30
8P	31.87 ±0.15	26.67 ±0.15	18P	69.97 ±0.30	64.77 ±0.30
7P	28.06 ±0.15	22.86 ±0.15	17P	66.16 ±0.30	60.96 ±0.30
6P	24.25 ±0.15	19.05 ±0.15	16P	62.35 ±0.30	57.15 ±0.30
5P	20.44 ±0.15	15.24 ±0.15	15P	58.54 ±0.30	53.34 ±0.30
4P	16.63 ±0.15	11.43 ±0.15	14P	54.73 ±0.20	49.53 ±0.20
3P	12.82 ±0.15	7.62 ±0.15	13P	50.92 ±0.20	45.72 ±0.20
2P	9.01 ±0.15	3.81 ±0.10	12P	47.11 ±0.20	41.91 ±0.20
PINS	A	B	PINS	A	B

ITEM	Pitch	Mating
Standard	3.81	PF381
Alternate		

REV	DATE	MODIFICATION DESCRIPTION	CHANGE	OPERATION	DRAW	DATE	SCALE	FIT	PART NO.
A3	2013/06/05	Modify The Housing Material	$\Delta 3$	X.X	±0.40	DRAW			ETB38106
A2	2013/04/24	Modify The Dimension 3.50 To 3.70	$\Delta 2$	X.XX	±0.25	CHECK			
A1	2012/07/27	MODIFY	$\Delta 1$	X.XXX	±0.15				
A0	2012/05/15	NEW		Angle	± 3°	APPROVE			
				DIM	TOL				
							UNIT	mm	
							SIZE	A4	TITLE:
							SHEET	1/1	3.81mm Pitch Male
							PROJ.		Pluggable Terminal Blocks
									Customer NO.

**Ho Chien**  
 www.hochien.com