

Material specifications

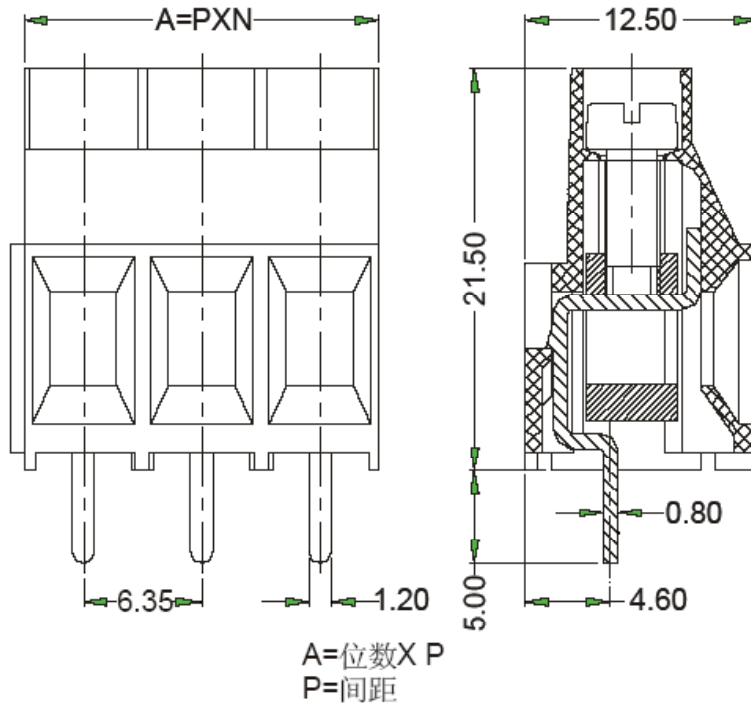
Model: ERTTB5-8.35

Spacing: 6.35mm

Rate Voltage: 690V

Rate Current: 40A

Wire Range: 28-10 AWG



Solder pin: 0.80 mm x 1.2 mm

焊针

Drilling diameter: 1.6 mm

钻头直径

Terminal width/pin spacing: 9.525 mm

端子宽度/焊针间距:

