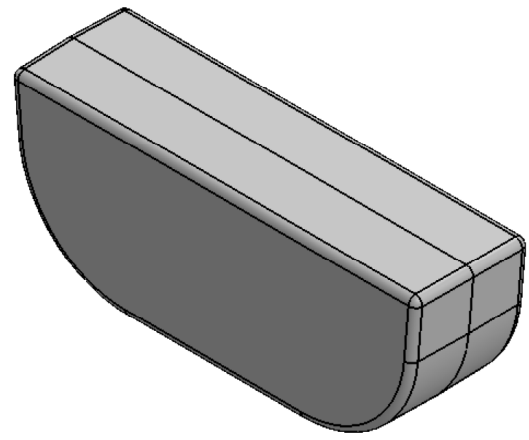
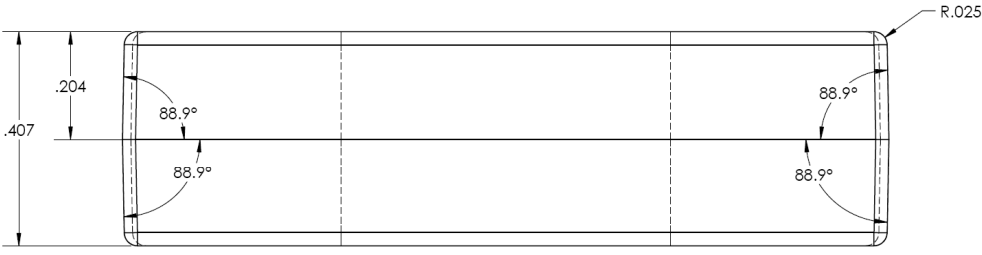
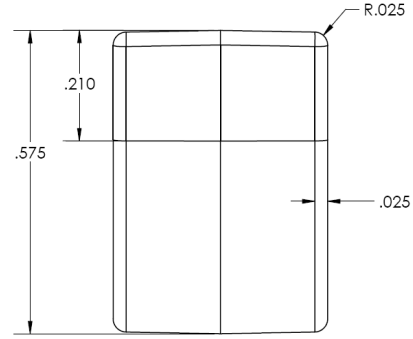
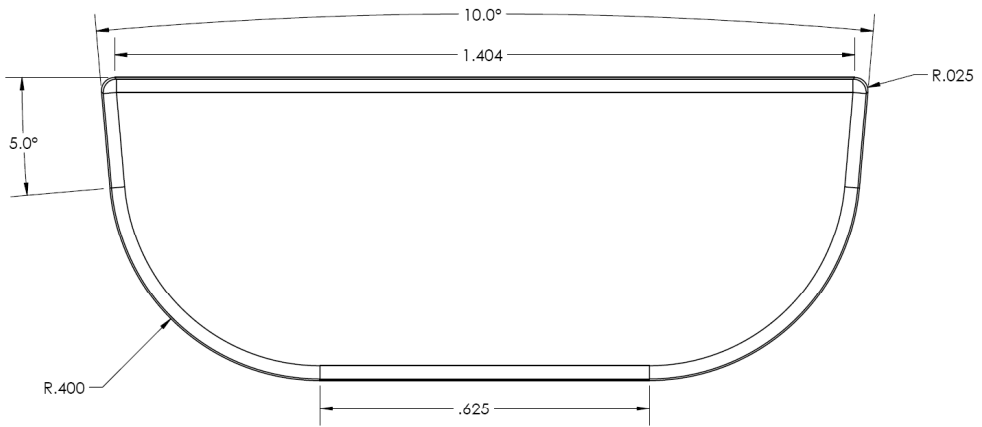


REV. LETTER	E.C. NO.	DATE	REVISION RECORD	CHG'D. BY



the most softest and stretchy rubbers



"THIS DOCUMENT IS THE PROPERTY OF CSI/SUTTLE APPARATUS CORPORATION. ITS USE IS AUTHORIZED ONLY FOR RESPONDING TO A REQUEST FOR QUOTATION OR FOR THE PERFORMANCE OF WORK FOR CSI/SUTTLE APPARATUS CORP. ALL QUESTIONS MUST BE REFERRED TO THE CSI/SUTTLE APPARATUS CORP. PURCHASING DEPARTMENT."

FILE NAME	TITLE SMALL SEAL		DRAWN BY R.MARIN	
DATE 2/6/2013	MATERIAL TPR		APPROVED BY DESIGN ENG.	
TOOL NO.	FINISH	SCALE 4:1	APPROVED BY MFG. OR PURCHASING	
INCH UNITS & TOLERANCES (EXCEPT AS NOTED)	RELEASE NO.	SHEET 1 OF 1	DRAWING NO. CM-M0146-0002	REV. 1
DECIMAL 1 PLACE +/- .05 2 PLACE +/- .03 3 PLACE +/- .010 4 PLACE +/- .005 ANGLES +/- 1 DEG. DEG			HO CHIEN www.hochien.com	