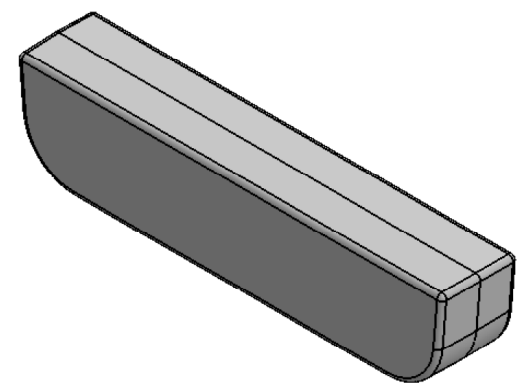
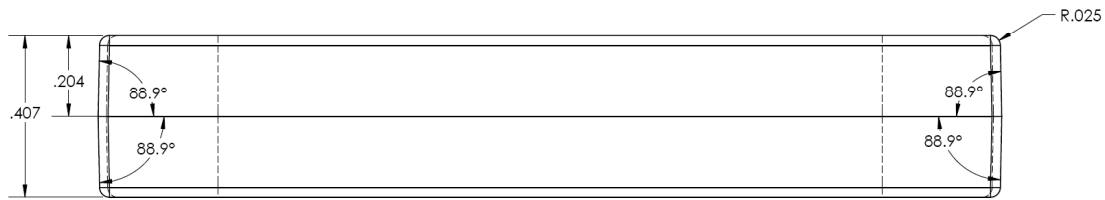
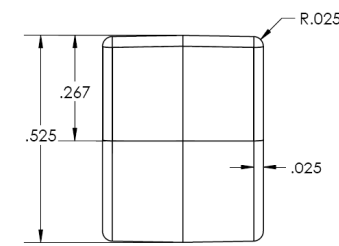
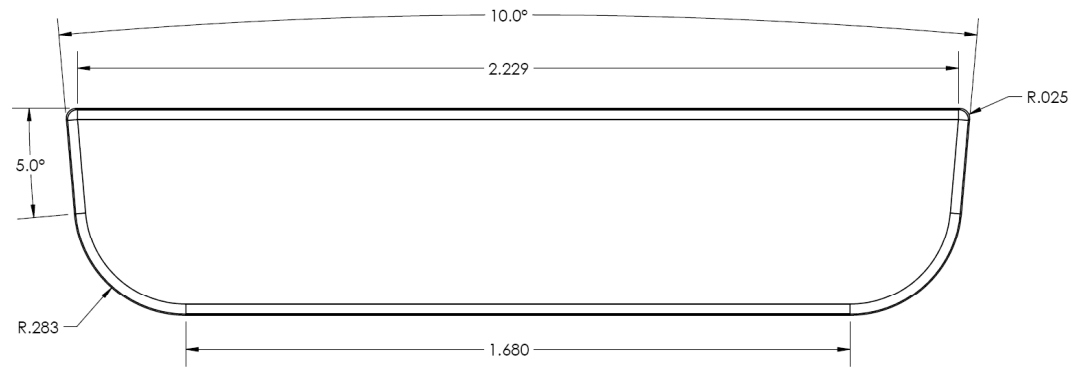


REV. LETTER	E.C. NO.	DATE	REVISION RECORD	CHG'D. BY



the most softest and stretchy rubbers



FILE NAME	TITLE <b>LARGE SEAL</b>		DRAWN BY R.MARIN	
DATE 2/6/2013			APPROVED BY DESIGN ENG.	
TOOL NO.	MATERIAL FTP	FINISH	APPROVED BY MFG. OR PURCHASING	
			SCALE 3:1	APPROVED BY Q.C.
INCH UNITS & TOLERANCES (EXCEPT AS NOTED)	RELEASE NO.	SHEET 1 OF 1	DRAWING NO. CM-M0146-0001	REV. 1
DECIMAL 1 PLACE +/- .05 2 PLACE +/- .03 3 PLACE +/- .010 4 PLACE +/- .005 ANGLES +/- 1 DEG, DEG			<b>HO CHIEN</b> www.hochien.com	