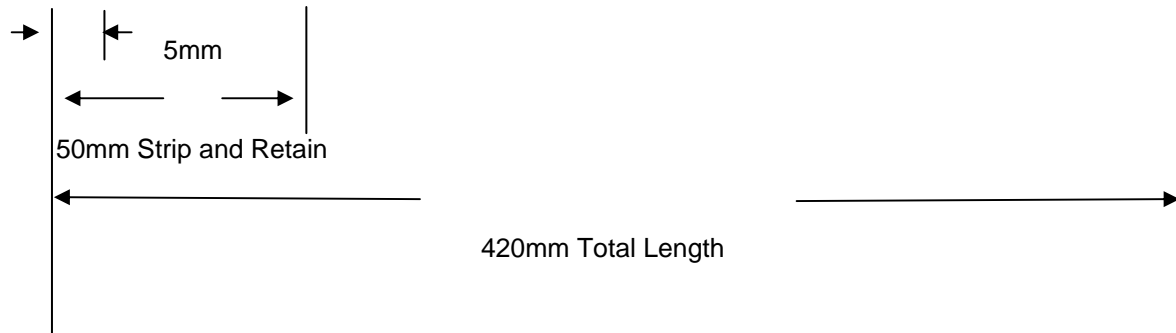
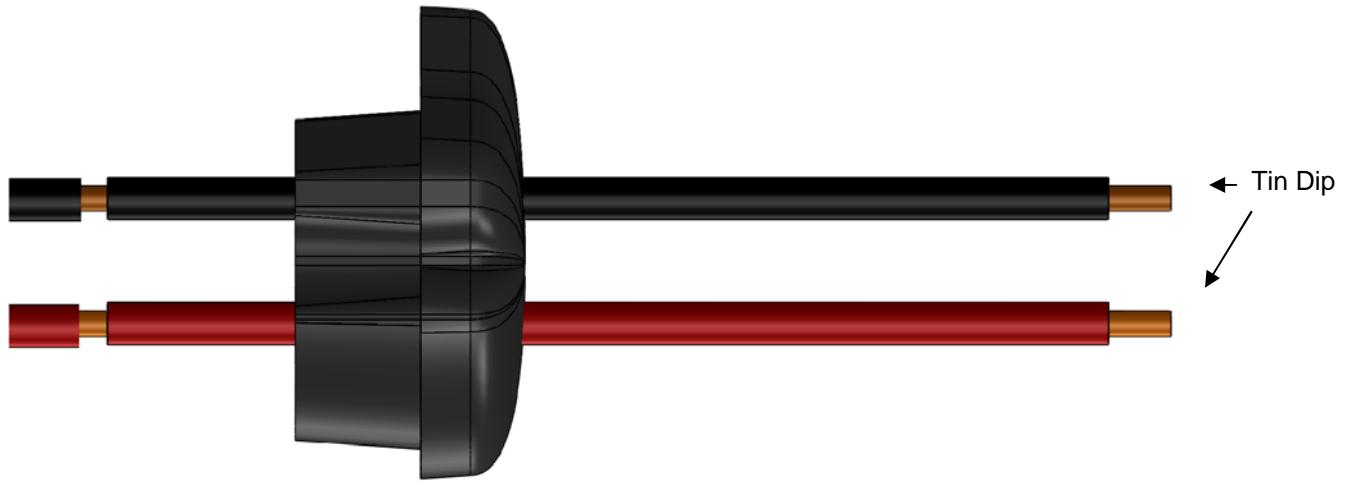


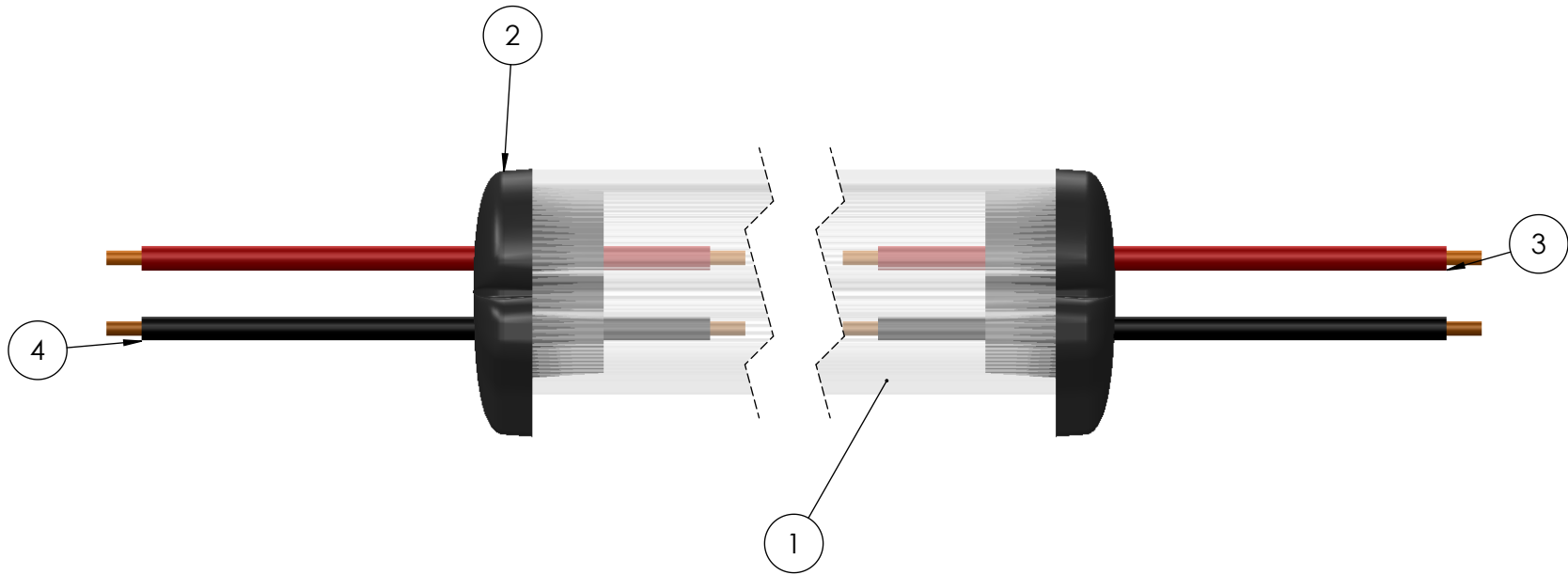
PN# CA-M0001-0086A

DATE: 1/30/2012



N.º DE ELEMENTO	N.º DE PIEZA	DESCRIPCIÓN	CANTIDAD
1	Lamp100		1
2	Tapon_387-LAM100		2
3	CableCal24_Red		2
4	CableCal24_Black		2

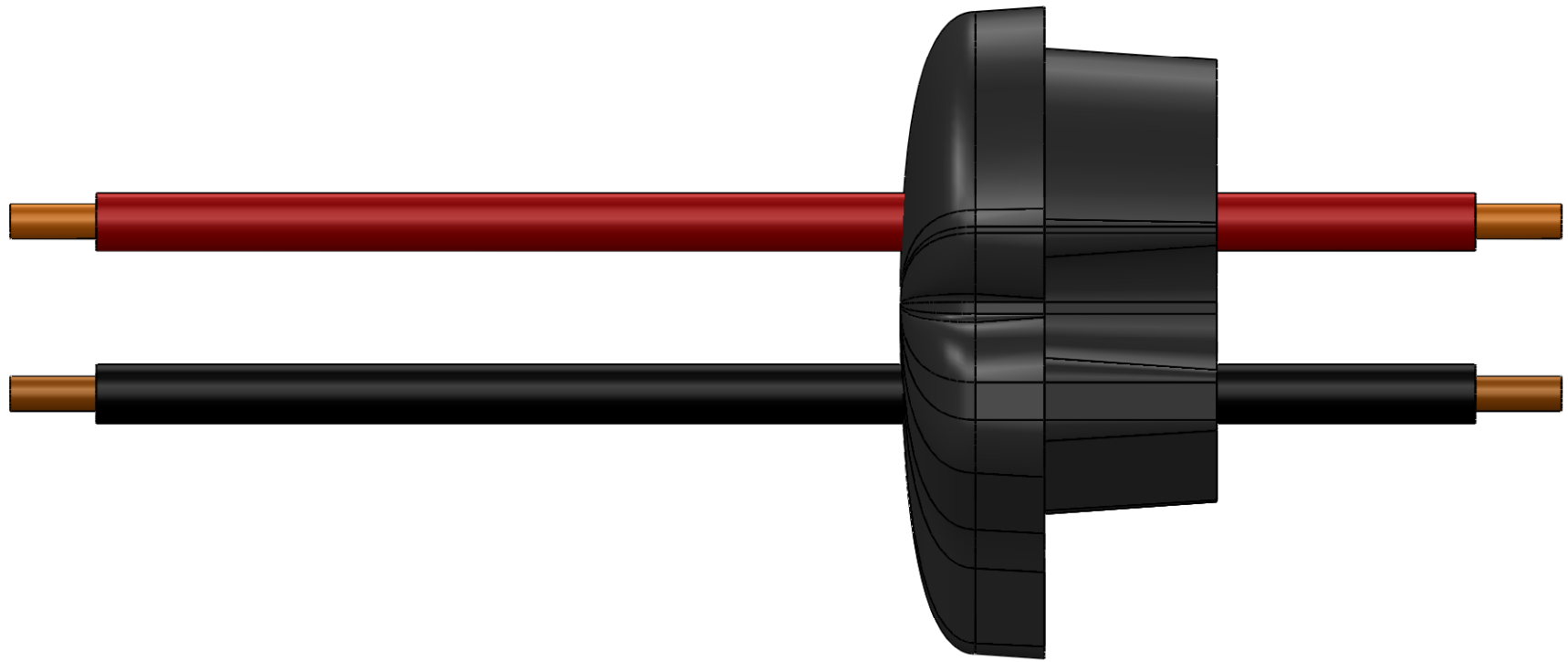
NºP. Interno:	
NºP. Externo:	




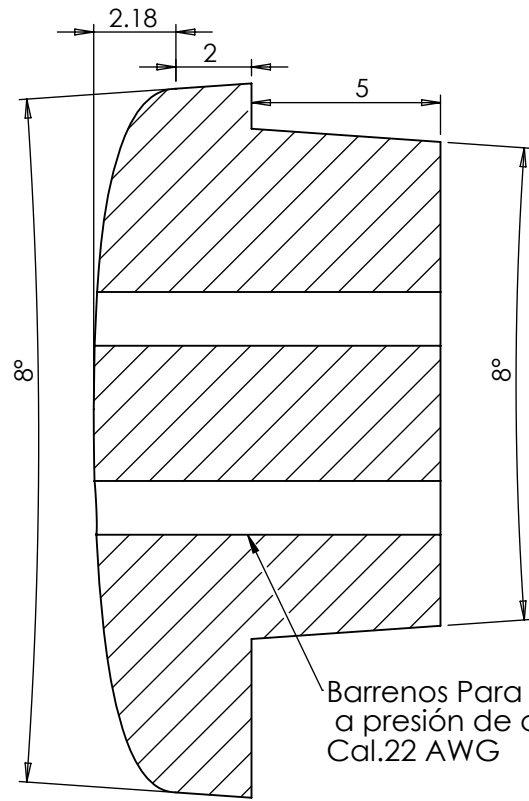
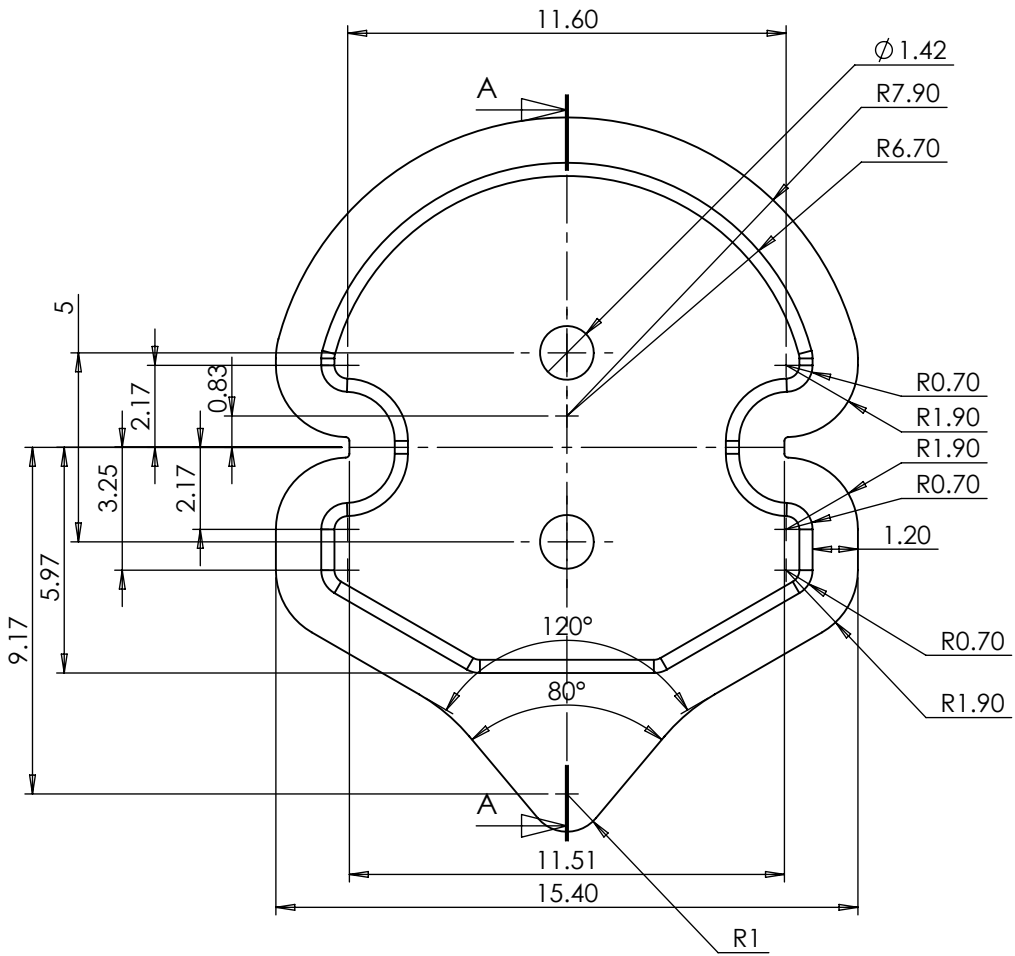
DIMENSIONS ARE IN mm		NAME	DATE	
TOLERANCES:		Dibujó		
FRACTIONAL ±		Revizó		
ANGULAR: MACH ± BEND ±		ENG APPR.		
TWO PLACE DECIMAL ±		MFG APPR.		
THREE PLACE DECIMAL ±		Q.A.		
MATERIAL	--	COMMENTS:		
FINISH	--			
DO NOT SCALE DRAWING		SIZE	DWG. NO.	REV.
		SCALE:1:1	WEIGHT:	SHEET 1 OF 4

N°P. Interno:

N°P. Externo:



DIMENSIONS ARE IN mm		NAME		DATE		 BALDOR			
TOLERANCES:		Dibujó							
FRACTIONAL ±		Revizó							
ANGULAR: MACH ± BEND ±		ENG APPR.							
TWO PLACE DECIMAL ±		MFG APPR.							
THREE PLACE DECIMAL ±		Q.A.							
MATERIAL --		COMMENTS:				SIZE			
FINISH --						DWG. NO.		REV.	
DO NOT SCALE DRAWING						SCALE:1:1		WEIGHT:	



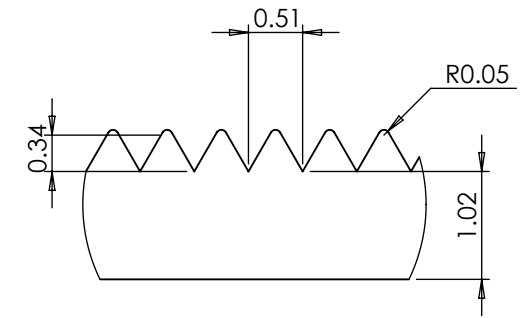
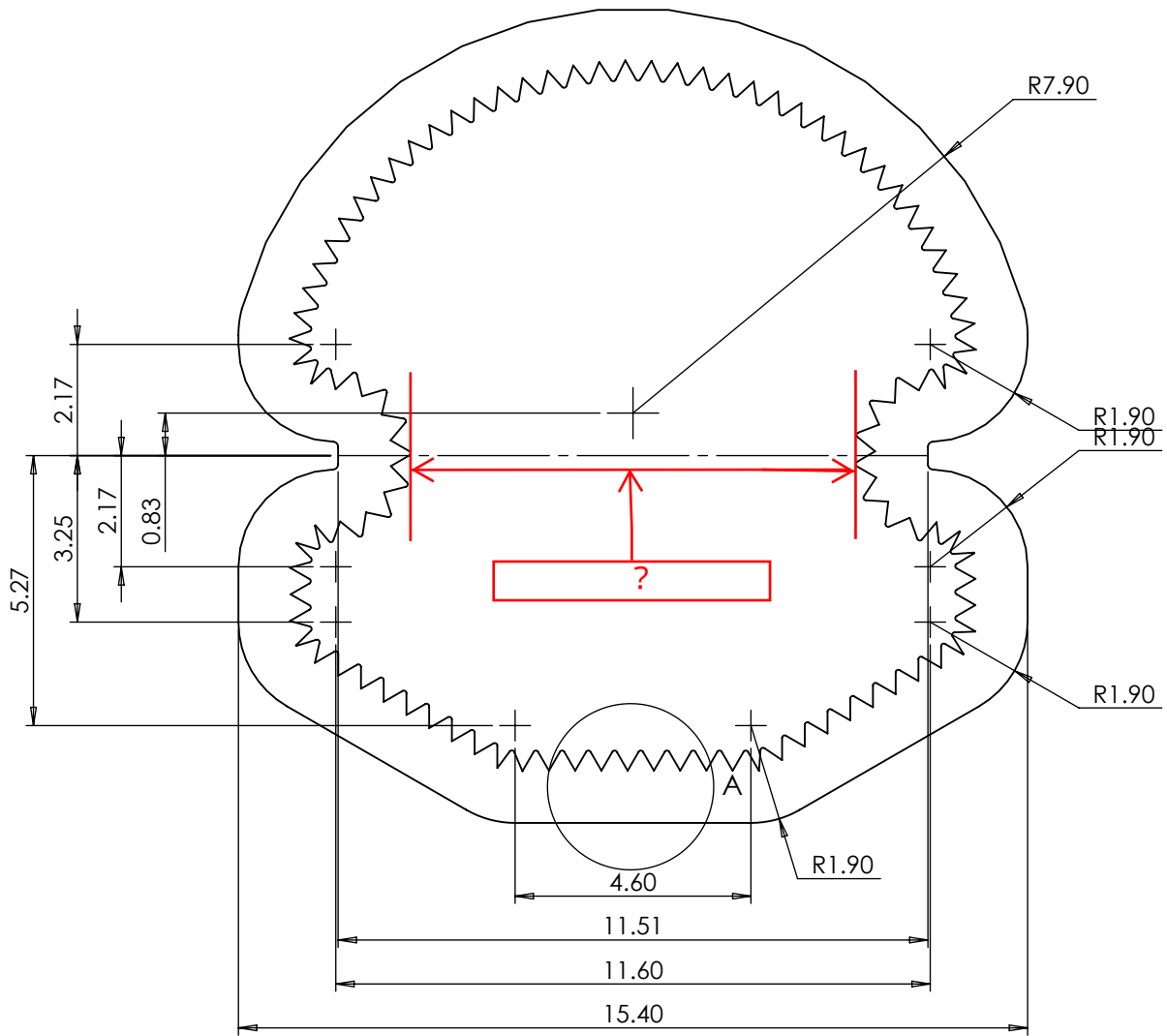
SECCIÓN A-A
ESCALA 5 : 1



1:1

DIMENSIONS ARE IN mm TOLERANCES: FRACTIONAL ± ANGULAR: MACH ± BEND ± TWO PLACE DECIMAL ± THREE PLACE DECIMAL ±	NAME	DATE	
	Dibujó		
	Revizó		
	ENG APPR.		
	MFG APPR.		
MATERIAL	COMMENTS:		
FINISH			
DO NOT SCALE DRAWING	SIZE	DWG. NO.	REV.
	A		
	SCALE:1:1	WEIGHT:	SHEET 3 OF 4

N°P. Interno: _____
 N°P. Externo: _____



DIMENSIONS ARE IN mm
 TOLERANCES:
 FRACTIONAL ±
 ANGULAR: MACH ± BEND ±
 TWO PLACE DECIMAL ±
 THREE PLACE DECIMAL ±

MATERIAL --

FINISH --

DO NOT SCALE DRAWING

	NAME	DATE
Dibujó		
Revizó		
ENG APPR.		
MFG APPR.		
Q.A.		
COMMENTS:		

