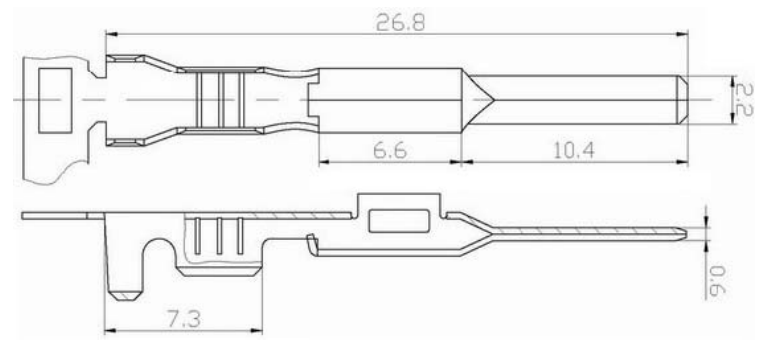
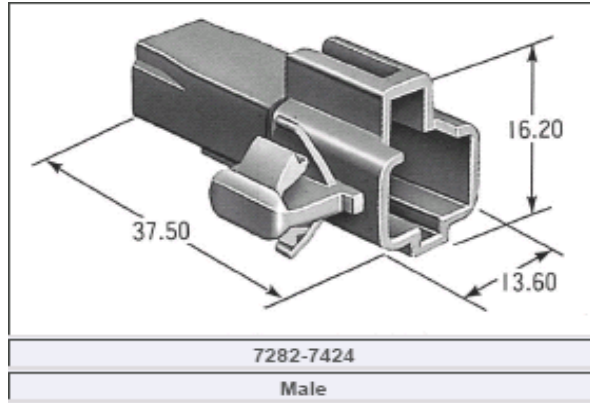


HC PN# CA-M0001-0083

Date : 12/1/11'



Green 22AWG 105C UL Wire Crimp contact insert in housing

10mm Strip and Retain at end

Black 22AWG 105C UL Wire Crimp contact insert in housing

1000mm