

REVISION DATA		
REV	DESCRIPTION	DATE
A0	NEW DRAWING	2008-08-22

Technical Data:

Material:

Contact(metal housing): Brass Stamping

Terminal screw: Steel galvanized and chromitized or Nickel plated or Tin plated (standard) (option)

Wire guard: Copper Alloy

Surface of solder tail: Tin plated

Insulator body(housing): Polyamide(Glass filled)(UL94V-0)

Electrical

Voltage rating: 300VAC

Current rating: 8 Amps/way max

Insulation resistance: 5000M Ω /1000V

Withstanding Voltage: 1500VAC(1min) Test time=60sec/1pcs

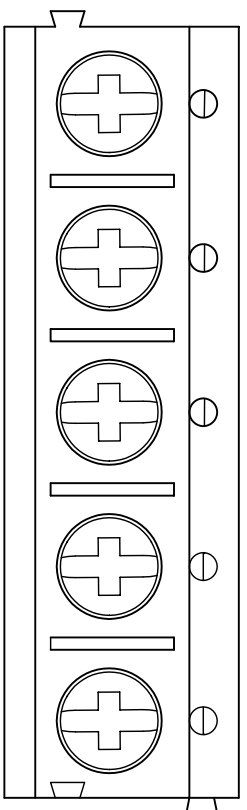
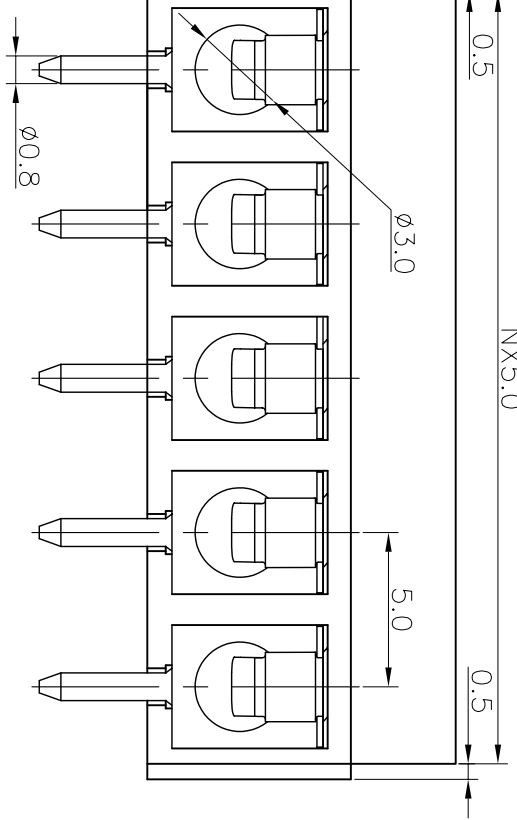
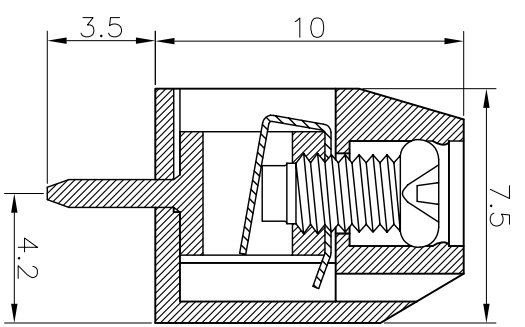
Wire range: 14-26AWG

Mechanical:

Operating temperature: -30° C to +105° C

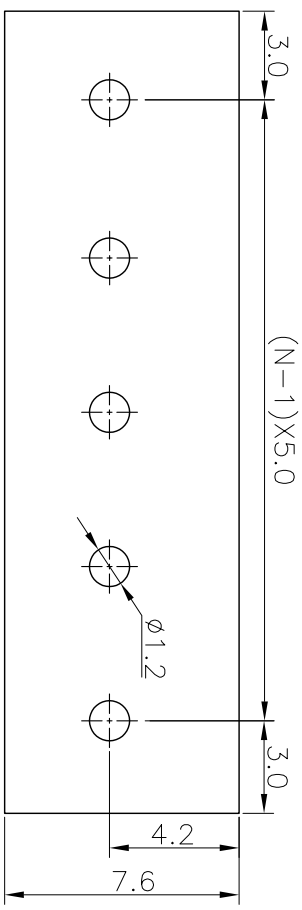
Soldering reliability:

Test temperature= 250° C \pm 10° C/5 seconds max

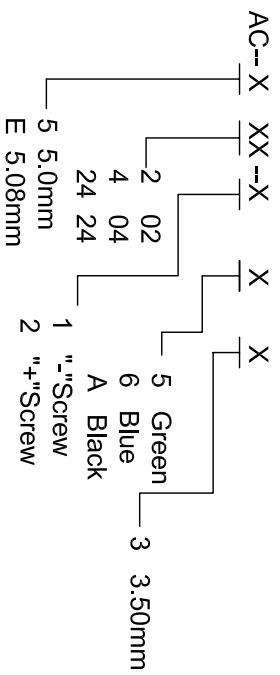


N=Number of contacts

(N-1)X5.0



P.C.B. LAYOUT



HO CHIEN
www.hochien.com

TOLERANCE	ANGLE $\pm 5^\circ$	PROJECTON	TITLE:	AC 5.0mm Series
X.XXX	± 0.10	DATE:	2008-08-22	
X.XX	± 0.20	DRAWN:	fujianshan	PART NO: AC5XX2X3C
X.X	± 0.30	CHECKED:	fujianshan	DRAWING NO:
X	± 0.50	APPROVED:		REV: A0
				UNIT: mm
				SCALE: 3:1
				SIZE: A4