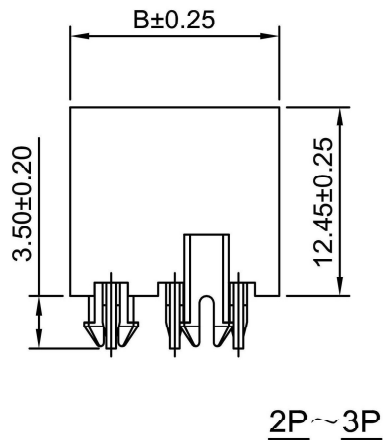
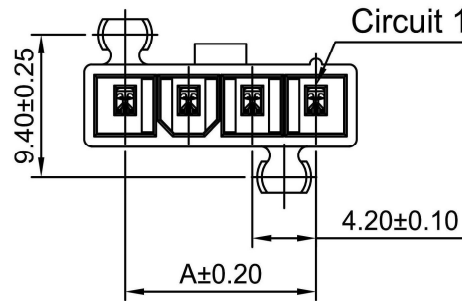
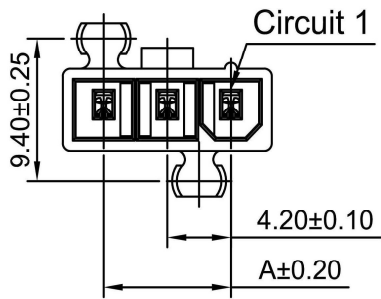
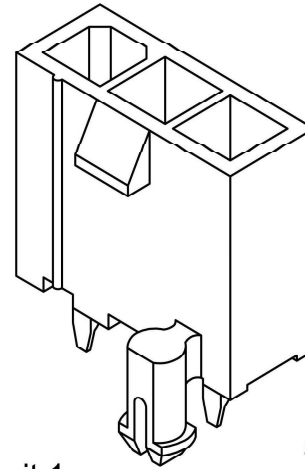
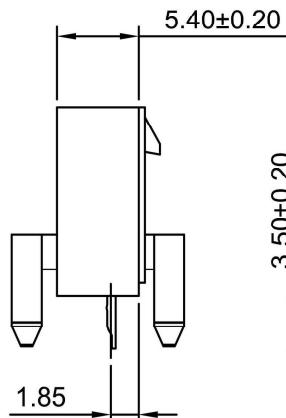


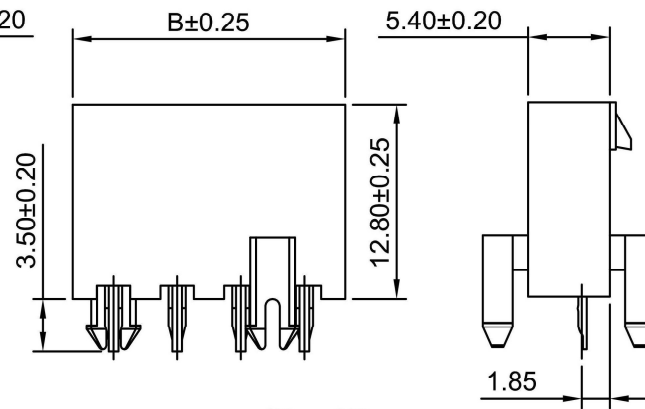
P.C.B LAYOUT



2P~3P



4P~6P



SPECIFICATIONS:

Current Rating: 9A AC,DC
 Voltage Rating: 600V AC,DC
 Temperature Range: -40°C ~ +105°C
 Contact Resistance: 10mΩ Max
 Insulation Resistance: 1000MΩ Min
 Withstanding Voltage: 1500V AC/minute
 Pin Material: Brass/Tin-plated
 Material: Nylon 66,UL 94-2

Ordering Information & Dimensions

PART NO.	Dimensions	
	A	B
4201S-1X2	4.20	9.60
4201S-1X3	8.40	13.80
4201S-1X4	12.60	18.00
4201S-1X5	16.80	22.20
4201S-1X6	21.00	26.40

Unit: mm

Ho Chien
www.hochien.com

Unit mm	Scale 1:1	Sheet 1 of 1	Title : 4.20mm PITCH 180° Single Row Wafer With Foot
Draw BY:		Approved :	
General Tolerance			
BO	REV	DATE	DRAW NO :

BO		
REV		DATE