

## RJ45 Connector RBA-051A10F62Y

### Feature:

- Complies with IEEE standards and all Gigabit specifications including 350uH with 8mA DC bias
- Contact: Phosphor Bronze, 6u-inch gold flashed unless specified
- Housing: Thermoplastic PBT+30%GF UL94V0 rated
- Grounding pin of shell and USB pre-soldering Sn-cu0.7
- Operating temperature: 0°C to +70°C

### Electrical Specifications: (25°C)

1. Insertion Loss:

@1~80MHz : -1.0dB Max

@ 100MHz: -1.5dB Max

2. Return Loss:

@1~30MHz : -20dB Min

@ 60~80MHz : -12dB Min

3. Common Mode Rejection:

@1~100MHz: -30dB Min

@200MHz: -20dB Min

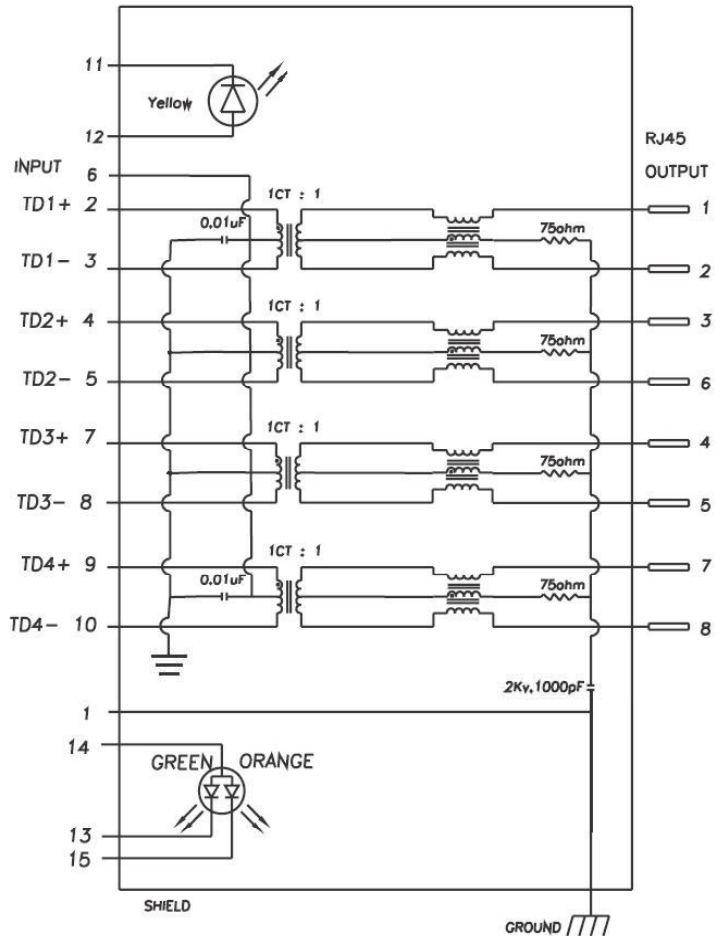
4. Crosstalk:

@1~100MHz : -35dB Min

5. OCL:

@100KHz, 0.1V , 8mADC : 350uH Min

6. Hi-Pot : 1200V AC, 1mA, 1Sec

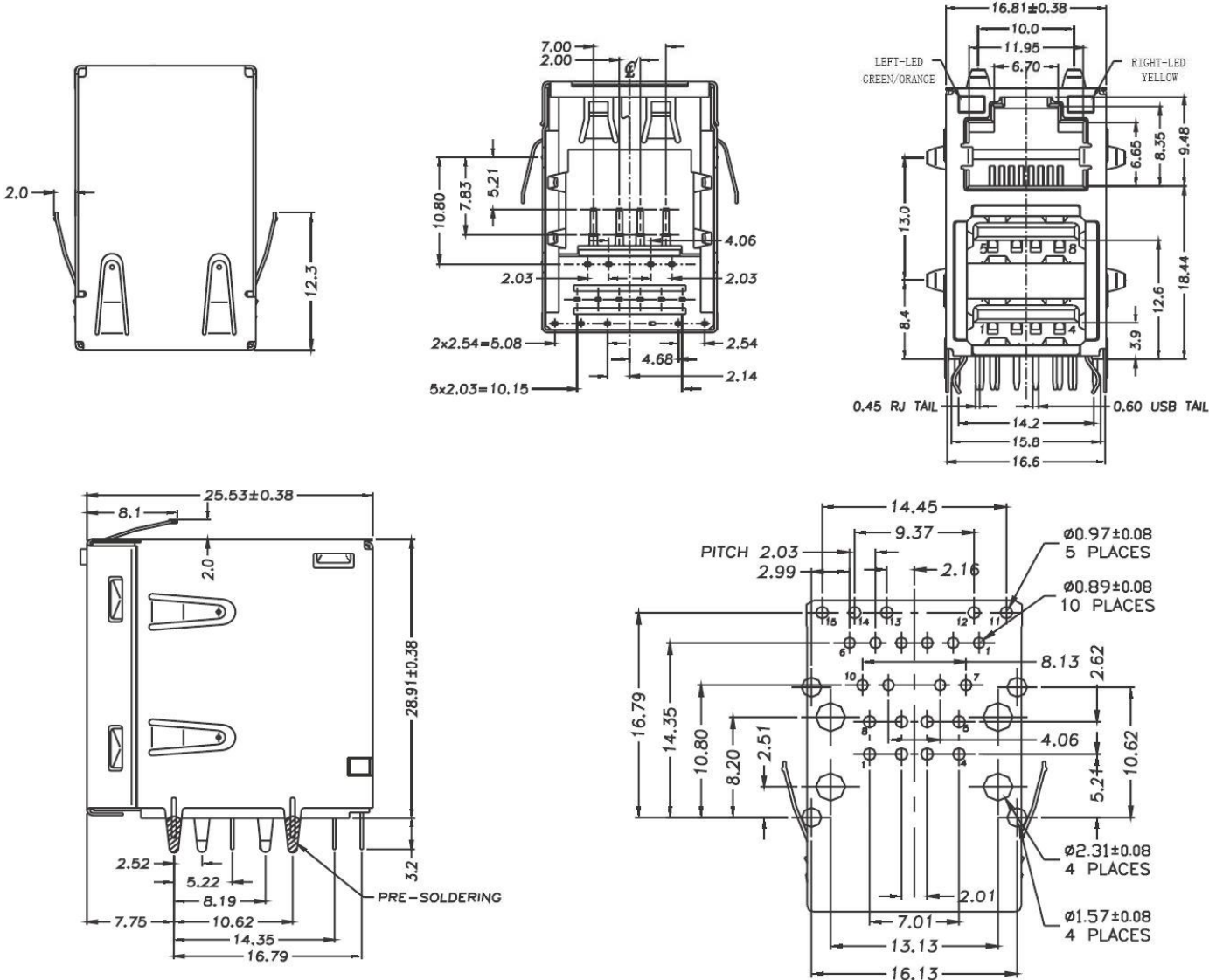


Lead-free process, compliant RoHS

Scale: Do not scale DWG	Unspecified tolerance		Title	RJ45 Connector
Unit : inch/mm	.X +/-	.xx +/-	Manufacture P/N	RBA-051A-10F6-2Y
Prepared BY : X.J.Fang	.xxx +/-		Part NO.	N/A
Approved BY :			Sheet 1 of 1	REV. 01

RJ45 Connector RBA-051A10F62Y

Mechanical



Recommended PCB Layout Component Side View

Unit: inch/mm  
 tolerance: .x +/- 0.38  
 .xx +/- 0.25