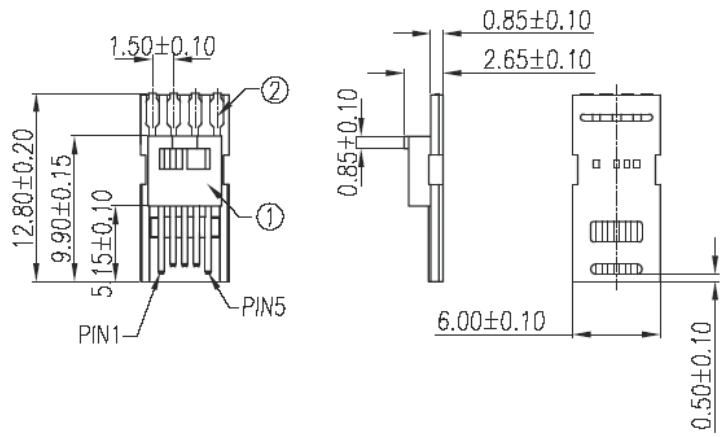


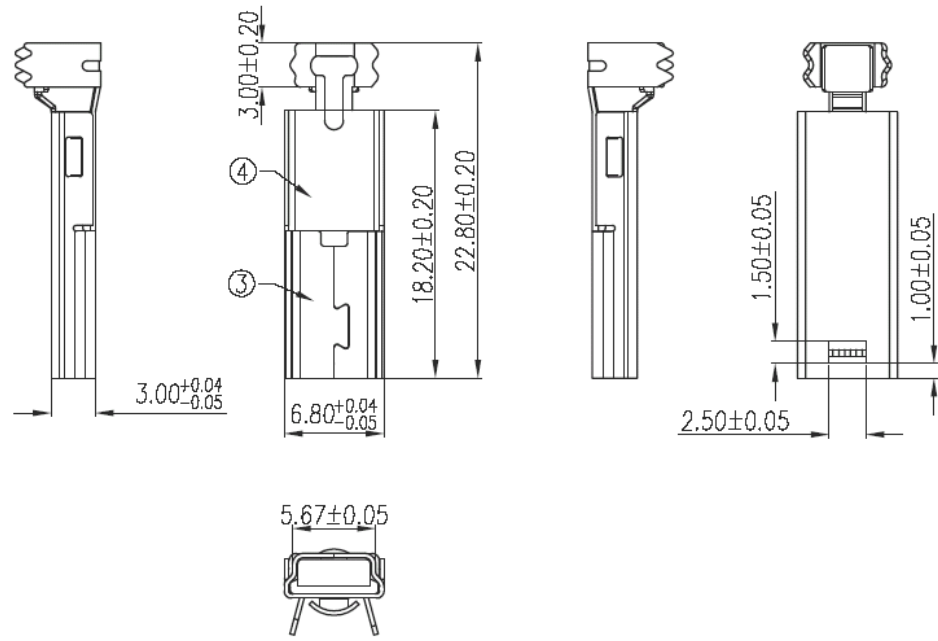
REV.	ECN NO	LOCATIONS	DESCRIPTION	DATE	REVISER	APPD



Note:

Specification:

1. Current rating: 1A Max.
2. Dielectric withstanding voltage: 30V(ac) for 1 minute.
3. Contact resistance: 30 mΩ Max.
4. Insulation resistance: 1000 MΩ Min at DC 500V.
5. Temperature range: -55°C~+105°C



USB 2.0 TID NO.:60000894

No.	Name	Q'ty	Material	Remarks&Thickness	Finish
4	Back Shell	1	Cold rolled steel	T=0.30mm	Cu:40u"min. 80u"~120u" Nickel Plated
3	Front Shell	1	Cold rolled steel	T=0.30mm	Cu:40u"min. 80u"~120u" Nickel Plated
2	Contact	5	Brass	T=0.25mm	Contact area: 0.8~1.2u"Gold Plated over 40u"Nickel min Solder area:80~120u"Tin Plated over 40u"Nickel Min.
1	Housing	1	PBT	UL 94-V0	Black

PRAT NO:		MATERIAL:		<b>HO CHIEN</b> www.hochien.com	
MODEL NO:		FINSH:			
UNIT: mm	SAZE: A4	COLOR:		PART NAME:	
TOLERANCE UNSPECIFIED		DR: 趙承寶 07/06/21		MINI USB-5PIN(M) B TYPE 插線式超薄 (五出四PIN)	
.X ±0.30	.XX ±0.20	CHK: James 07/06/21		DWG NO: S/A-463	REV. A1
.XXX ±0.10	ANG ±1°	APP: Kent 07/06/21		SCALE: 2:1	SHEET: 1 of 1

ROHS Compliant