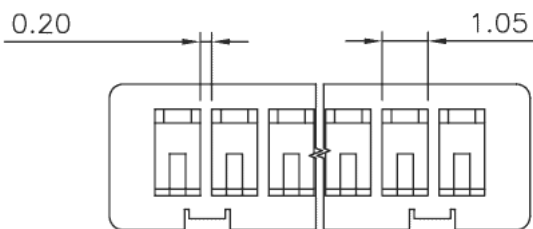


Section A-A



■ SPECIFICATIONS

- Voltage Rating : 125V AC/DC
- Current Rating : 1A AC/DC
- Withstanding Voltage : 250V AC /minute
- Insulation Resistance : 100MΩ min
- Temperature Range : - 40°C to + 85°C
- Contact Resistance : 20mΩ max

■ HOUSING

- Part No. : JS-1146-XX
JS-1146-XX : GP Produces
- Poles : 2 - 15
- Material : Nylon 66 UL94V-0
- Q' ty : 1,000 Pcs./Bag

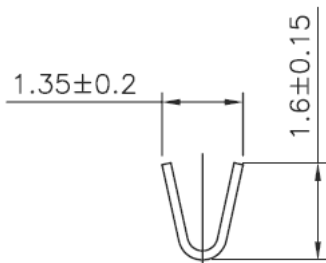
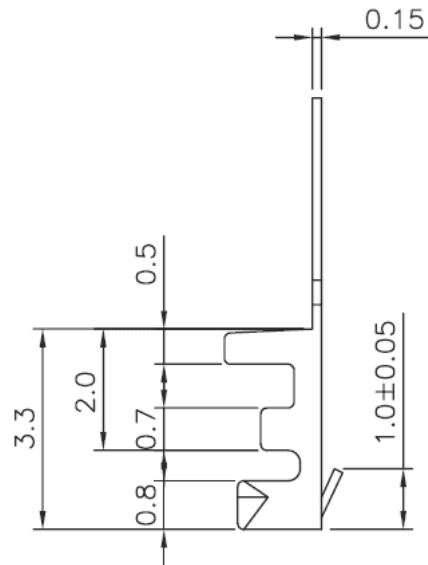
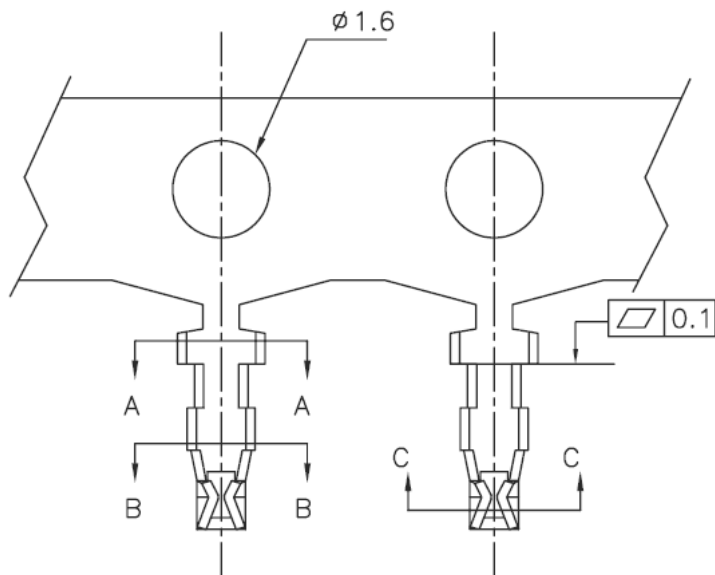
Poles	Part No.	Dimensions (mm)		
		A	B	C
2	JS-1146-02	1.25	4.25	2.95
3	JS-1146-03	2.50	5.50	4.20
4	JS-1146-04	3.75	6.75	5.45
5	JS-1146-05	5.00	8.00	6.70
6	JS-1146-06	6.25	9.25	7.95
7	JS-1146-07	7.50	10.50	9.20
8	JS-1146-08	8.75	11.75	10.45
9	JS-1146-09	10.00	13.00	11.70
10	JS-1146-10	11.25	14.25	12.95
11	JS-1146-11	12.50	15.50	14.20
12	JS-1146-12	13.75	16.75	15.45
13	JS-1146-13	15.00	18.00	16.70
14	JS-1146-14	16.25	19.25	17.90
15	JS-1146-15	17.50	20.50	19.20

HO CHIEN
www.hochien.com

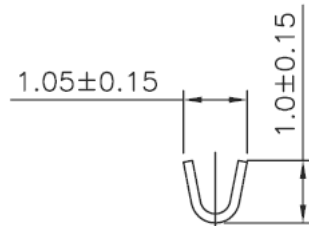
PART NO JS-1146-XX

1.25mm Crimp Style Connectors Housing

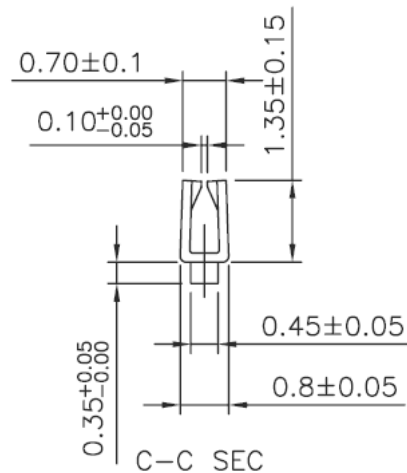
APPROVED BY	SCALE	UNIT	TOLERANCE	LTR	REVISION RECORD	DATE	LTR	REVISION RECORD	DATE
林陳鏢	6:1	mm	.0 ±0.3	ECR	DG 200612-005	06/12/14			
CHECKED BY	PROJ	VER NO.	.00 ±0.2	ECR	DG 200704-004	07/04/16			
			.000 ±0.1						
			ALL ±						
			ANGLE						
			0° ±						
			.0° ±						
DRAWN BY	DATE	SIZE							
劉蓮花	2007/4/16	A4							
							CUSTOMER		
							Conforms to The RoHS Instruction		



A-A SEC



B-B SEC



C-C SEC

■ SPECIFICATIONS

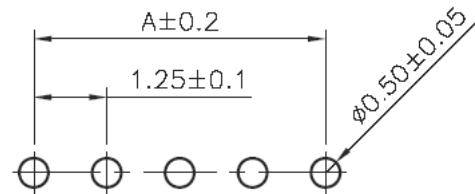
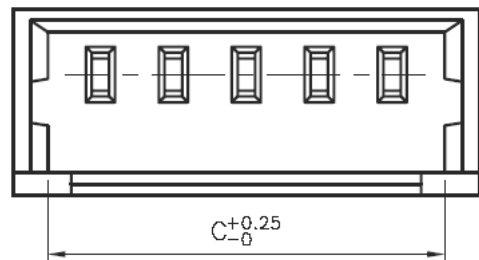
- Voltage Rating : 125V AC/DC
- Current Rating : 1A AC/DC
- Withstanding Voltage : 250V AC /minute
- Insulation Resistance : 100MΩ min
- Temperature Range : - 40°C to + 85°C
- Contact Resistance : 20mΩ max

■ TERMINAL

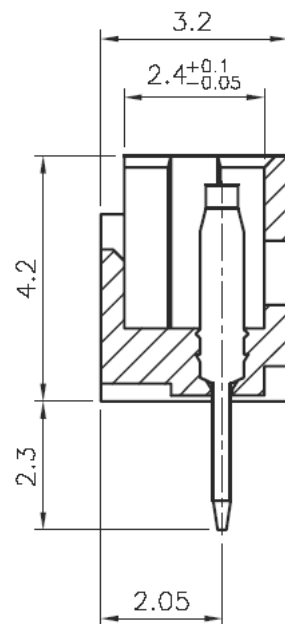
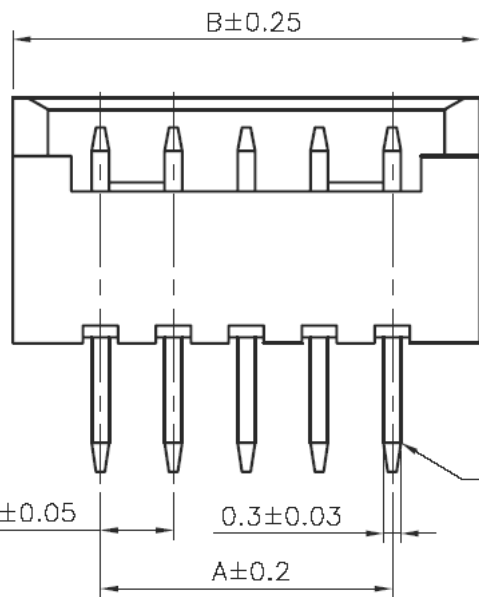
- Part No. : JS-1146-T
- JS-1146-T : GP Produces
- Applicable Wires : AWG# 28 - 32
- Material : Phos. Bronze
- Finish : Tin Plated
- Thickness : 0.15mm
- Q' ty : 15,000 Pcs./Reel

HO CHIEN
www.hochien.com

PART NO	APPROVED BY	SCALE	UNIT	TOLERANCE		LTR	REVISION RECORD	DATE	LTR	REVISION RECORD	DATE
				.0	±0.3						
JS-1146-T	林陳鏞	4:1	mm	.00	±0.2	ECR	DG 200611-004	06/11/10			
	CHECKED BY			PROJ	VER NO.	.000	±0.1	ECR	DG 200612-005	06/12/14	
1.25mm Crimp Style Connectors Terminal	DRAWN BY	DATE	SIZE	ALL	±				CUSTOMER		
	劉蓮花	2006/12/14	A4	ANGLE					Conforms to The RoHS Instruction		
				0°	±						
				.0°	±						



Recommend PCB Layout



■ SPECIFICATIONS

- Voltage Rating : 250V AC/DC
- Current Rating : 1A AC/DC
- Withstanding Voltage : 250V AC /minute
- Insulation Resistance : 100MΩ min
- Temperature Range : - 40°C to + 85°C
- Contact Resistance : 20mΩ max

■ WAFER

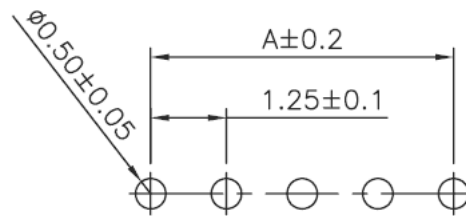
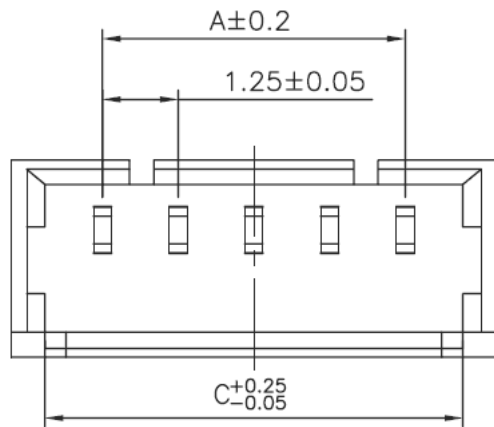
- Part No. : JS-1147-XX (DIP Type)
- Poles : 2 - 15
- Material : Contact : Brass, Tin Plated
Base : Nylon 66 UL94V-0+Glass Fiber
- Q' ty : 1,000 Pcs./PVC Box

Poles	Part No.	Dimensions (mm)		
		A	B	C
2	JS-1147-02	1.25	4.25	3.05
3	JS-1147-03	2.50	5.50	4.30
4	JS-1147-04	3.75	6.75	5.55
5	JS-1147-05	5.00	8.00	6.80
6	JS-1147-06	6.25	9.25	8.05
7	JS-1147-07	7.50	10.50	9.30
8	JS-1147-08	8.75	11.75	10.55
9	JS-1147-09	10.00	13.00	11.80
10	JS-1147-10	11.25	14.25	13.05
11	JS-1147-11	12.50	15.50	14.30
12	JS-1147-12	13.75	16.75	15.55
13	JS-1147-13	15.00	18.00	16.80
14	JS-1147-14	16.25	19.25	18.05
15	JS-1147-15	17.50	20.50	19.30

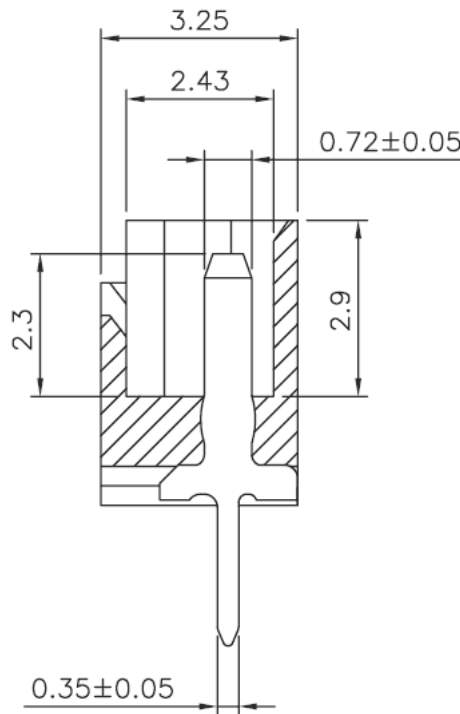
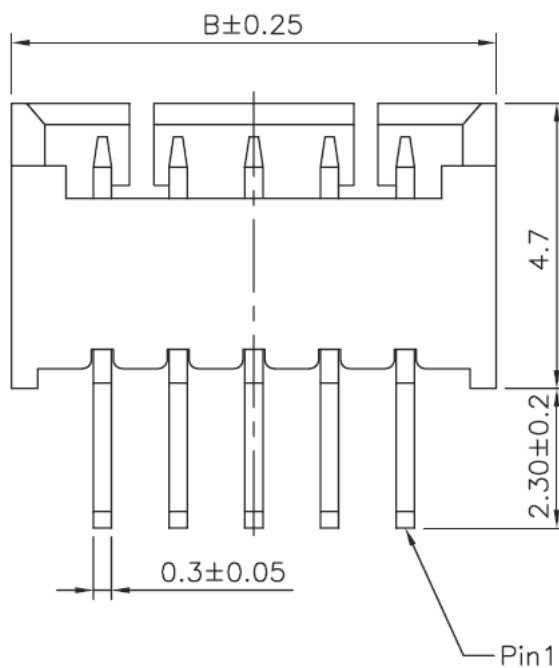
HO CHIEN
www.hochien.com

APPROVED BY	SCALE	UNIT	TOLERANCE	LTR	REVISION RECORD	DATE	LTR	REVISION RECORD	DATE
林宗		mm	.0 ±0.3	ECR	DG 200509-001	05/09/02			
CHECKED BY	PROJ	VER NO.	.00 ±0.2	ECR	RoHS compliant	06/12/30			
		α3	.000 ±0.1	ECR	200802-010	08-02-18			
DRAWN BY	DATE	SIZE	ALL ±				CUSTOMER		
黄科源	2008/02/18	A4	ANGLE				Conforms to The RoHS Instruction		
			0° ±						
			.0° ±						

PART NO JS-1147-XX
1.25mm Crimp Style Connectors Wafer <DIP>



Recommand PCB Layout



■ SPECIFICATIONS

- Voltage Rating : 125V AC/DC
- Current Rating : 1A AC/DC
- Withstanding Voltage : 250V AC /minute
- Insulation Resistance : 100MΩ min
- Temperature Range : - 40°C to + 85°C
- Contact Resistance : 20mΩ max

■ WAFER

- Part No. : JS-1147A-XX (DIP Type)
JS-1147A-XX : GP Produces

- Poles : 2 - 15
- Material : Contact : Brass, Tin Plated
Base : Nylon PA46 UL94V-0
- Q' ty : 1,000 Pcs./PVC Box

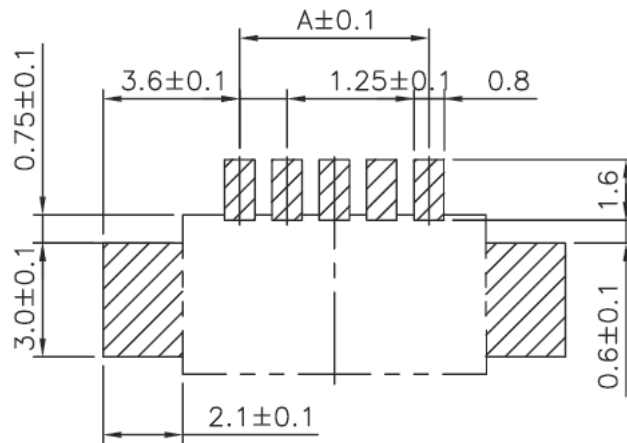
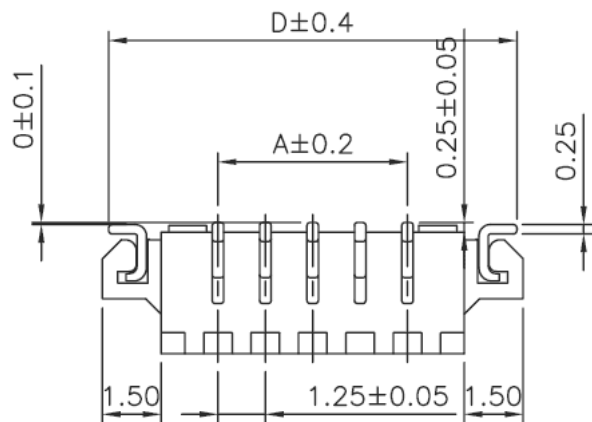
Poles	Part No.	Dimensions (mm)		
		A	B	C
2	JS-1147A-02	1.25	4.25	3.05
3	JS-1147A-03	2.50	5.50	4.30
4	JS-1147A-04	3.75	6.75	5.55
5	JS-1147A-05	5.00	8.00	6.80
6	JS-1147A-06	6.25	9.25	8.05
7	JS-1147A-07	7.50	10.50	9.30
8	JS-1147A-08	8.75	11.75	10.55
9	JS-1147A-09	10.00	13.00	11.80
10	JS-1147A-10	11.25	14.25	13.05
11	JS-1147A-11	12.50	15.50	14.30
12	JS-1147A-12	13.75	16.75	15.55
13	JS-1147A-13	15.00	18.00	16.80
14	JS-1147A-14	16.25	19.25	18.05
15	JS-1147A-15	17.50	20.50	19.30

HO CHIEN
www.hochien.com

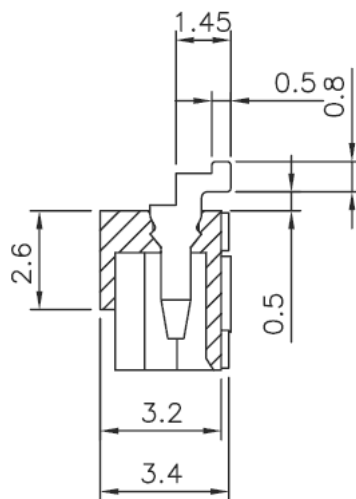
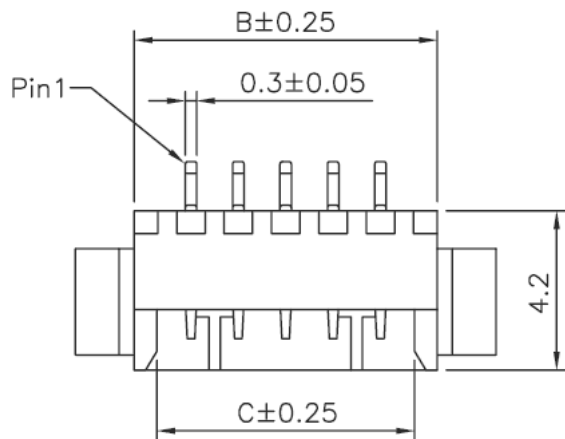
PART NO JS-1147A-XX
1.25mm Crimp Style Connectors Wafer <DIP>

APPROVED BY	SCALE	UNIT	TOLERANCE	LTR	REVISION RECORD	DATE	LTR	REVISION RECORD	DATE
林陳鏞	4:1	mm	.0 ±0.3	ECR	DG 200509-001	05/09/02			
CHECKED BY	PROJ	VER NO.	.00 ±0.2	ECR	RoHS compliant	06/12/30			
			.000 ±0.1						
			ALL ±						
DRAWN BY	DATE	SIZE	ANGLE						
余秀麗	2005/09/02	A4	0° ±						
			.0° ±						

CUSTOMER
Conforms to The RoHS Instruction



RECOMMAND PCB LAYOUT



■ SPECIFICATIONS

- Voltage Rating : 125V AC/DC
- Current Rating : 1A AC/DC
- Withstanding Voltage : 250V AC /minute
- Insulation Resistance : 100MΩ min
- Temperature Range : - 40°C to + 85°C
- Contact Resistance : 20mΩ max

■ WAFER

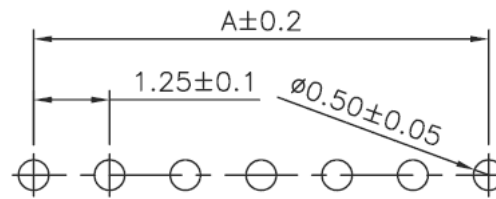
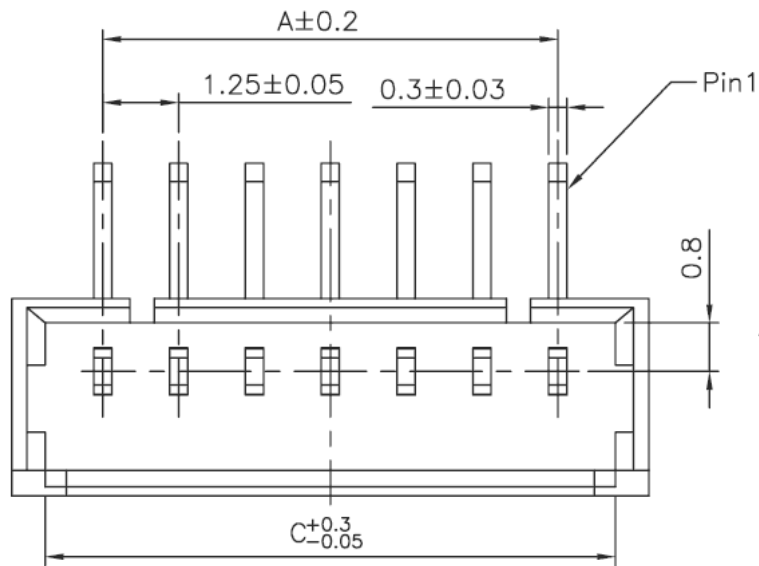
- Part No. : JS-1147H-XX (SMT Type)
JS-1147H-XX : GP Produces
- Poles : 2 - 15
- Material : Contact : Brass, Tin Plated
Base : Nylon PA46 UL94V-0
- Finish : Tin Plated
- Q' ty : 1,500 pcs./Tape & Reel

Poles	Part No.	Dimensions (mm)			
		A	B	C	D
2	JS-1147H-02	1.25	4.25	3.05	7.25
3	JS-1147H-03	2.50	5.50	4.30	8.50
4	JS-1147H-04	3.75	6.75	5.55	9.75
5	JS-1147H-05	5.00	8.00	6.80	11.00
6	JS-1147H-06	6.25	9.25	8.05	12.25
7	JS-1147H-07	7.50	10.50	9.30	13.50
8	JS-1147H-08	8.75	11.75	10.55	14.75
9	JS-1147H-09	10.00	13.00	11.80	16.00
10	JS-1147H-10	11.25	14.25	13.05	17.25
11	JS-1147H-11	12.50	15.50	14.30	18.50
12	JS-1147H-12	13.75	16.75	15.55	19.75
13	JS-1147H-13	15.00	18.00	16.80	21.00
14	JS-1147H-14	16.25	19.25	18.05	22.25
15	JS-1147H-15	17.50	20.50	19.30	23.50

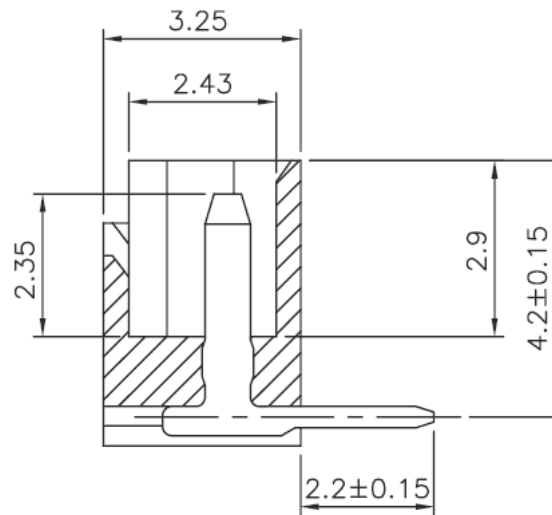
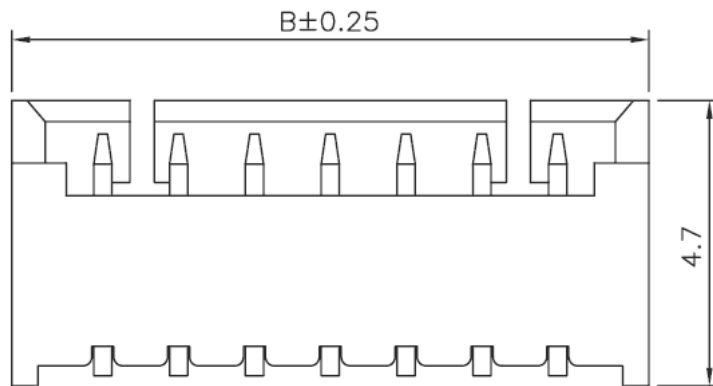
HO CHIEN
www.hochien.com

PART NO	JS-1147H-XX	APPROVED BY	SCALE	UNIT	TOLERANCE	LTR	REVISION RECORD	DATE	LTR	REVISION RECORD	DATE
		林陳鏢	5:1	mm	.0 ±0.3 .00 ±0.2 .000 ±0.1	ECR	DG 200509-001	05/09/02			
1.25mm Crimp Style Connectors Wafer <SMT>		CHECKED BY	PROJ	VER NO.	ALL ±		RoHS compliant	06/12/30			
		余秀麗			ANGLE						
		DRAWN BY	DATE	SIZE	0° ± .0° ±						
			2005/09/02	A4							Conforms to The RoHS Instruction

CUSTOMER
Conforms to The RoHS Instruction



RECOMMEND PCB LAYOUT



■ SPECIFICATIONS

- Voltage Rating : 125V AC/DC
- Current Rating : 1A AC/DC
- Withstanding Voltage : 250V AC /minute
- Insulation Resistance : 100MΩ min
- Temperature Range : - 40°C to + 85°C
- Contact Resistance : 20mΩ max

■ WAFER

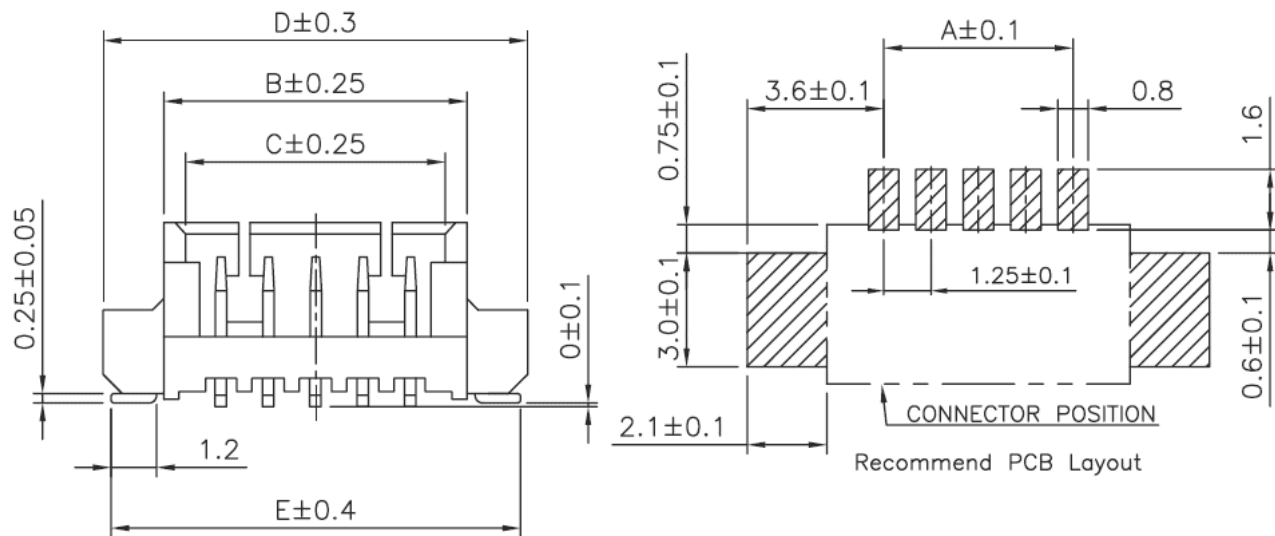
- Part No. : JS-1147R-XX (DIP Type)
JS-1147R-XX : GP Produces

- Poles : 2-15
- Material : Contact : Brass, Tin Plated
Base : Nylon PA46 UL94V-0
- Finish : Tin Plated
- Q' ty : 1,000 pcs./PVC Box

Poles	Part No.	Dimensions (mm)		
		A	B	C
2	JS-1147R-02	1.25	4.25	3.05
3	JS-1147R-03	2.50	5.50	4.30
4	JS-1147R-04	3.75	6.75	5.55
5	JS-1147R-05	5.00	8.00	6.80
6	JS-1147R-06	6.25	9.25	8.05
7	JS-1147R-07	7.50	10.50	9.30
8	JS-1147R-08	8.75	11.75	10.55
9	JS-1147R-09	10.00	13.00	11.80
10	JS-1147R-10	11.25	14.25	13.05
11	JS-1147R-11	12.50	15.50	14.30
12	JS-1147R-12	13.75	16.75	15.55
13	JS-1147R-13	15.00	18.00	16.80
14	JS-1147R-14	16.25	19.25	18.05
15	JS-1147R-15	17.50	20.50	19.30

HO CHIEN
www.hochien.com

PART NO	APPROVED BY	SCALE	UNIT	TOLERANCE		LTR	REVISION RECORD	DATE	LTR	REVISION RECORD	DATE		
				.0	±0.3								
JS-1147R-XX	林陳鏞	8:1	mm	.00	±0.2	ECR	DG 200509-001	05/09/02					
	CHECKED BY			PROJ	VER NO.	.000	±0.1	ECR	RoHS compliant	06/12/30			
1.25mm Crimp Style Connectors Wafer <DIP>	DRAWN BY	DATE	SIZE	ANGLE					CUSTOMER				
				余秀麗	2005/09/02				A4	0°		±	Conforms to The RoHS Instruction
										.0°		±	

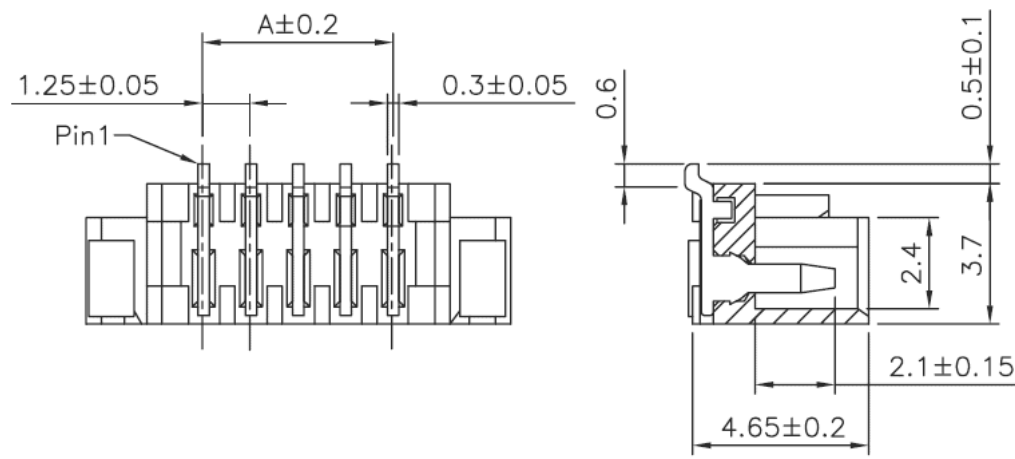


■ SPECIFICATIONS

- Voltage Rating : 125V AC/DC
- Current Rating : 1A AC/DC
- Withstanding Voltage : 250V AC /minute
- Insulation Resistance : 100MΩ min
- Temperature Range : - 40°C to + 85°C
- Contact Resistance : 20mΩ max

■ WAFER

- Part No. : JS-1147V-XX (SMT Type)
JS-1147V-XX : GP Produces
- Poles : 2 - 15
- Material : Contact : Brass, Tin Plated
Base : Nylon PA46 UL94V-0
- Finish : Tin Plated
- Q' ty : 1,000 pcs./Tape & Reel



Poles	Part No.	Dimensions (mm)				
		A	B	C	D	E
2	JS-1147V-02	1.25	4.25	3.05	7.65	7.25
3	JS-1147V-03	2.50	5.50	4.30	8.90	8.50
4	JS-1147V-04	3.75	6.75	5.55	10.15	9.75
5	JS-1147V-05	5.00	8.00	6.80	11.40	11.00
6	JS-1147V-06	6.25	9.25	8.05	12.65	12.25
7	JS-1147V-07	7.50	10.50	9.30	13.90	13.50
8	JS-1147V-08	8.75	11.75	10.55	15.15	14.75
9	JS-1147V-09	10.00	13.00	11.80	16.40	16.00
10	JS-1147V-10	11.25	14.25	13.05	17.65	17.25
11	JS-1147V-11	12.50	15.50	14.30	18.90	18.50
12	JS-1147V-12	13.75	16.75	15.55	20.15	19.75
13	JS-1147V-13	15.00	18.00	16.80	21.40	21.00
14	JS-1147V-14	16.25	19.25	18.05	22.65	22.25
15	JS-1147V-15	17.50	20.50	19.30	23.90	23.50

HO CHIEN
www.hochien.com

PART NO	JS-1147V-XX	APPROVED BY	SCALE	UNIT	TOLERANCE	LTR	REVISION RECORD	DATE	LTR	REVISION RECORD	DATE
		林陳鏞	5:1	mm	.0 ±0.3	ECR	DG 200509-001	05/09/02			
1.25mm Crimp Style Connectors Wafer <SMT>		CHECKED BY	PROJ	VER NO.	.00 ±0.2	ECR	RoHS compliant	06/12/30			
		余秀麗			.000 ±0.1						
		DRAWN BY	DATE	SIZE	ALL ±				CUSTOMER		
		余秀麗	2005/09/02	A4	ANGLE				Conforms to The RoHS Instruction		
					0° ±						
					.0° ±						