

■ SPECIFICATIONS

- Voltage Rating : 250V AC/DC
- Current Rating : 3A AC/DC
- Withstanding Voltage : 1,000V AC/minute
- Insulation Resistance : 1,000MΩ min
- Temperature Range : - 25°C to + 85°C
- Contact Resistance : 20mΩ max

■ HOUSING

- Part No. : JS-1136-XX
JS-1136-XX : GP Produces
- Poles : 2 - 20
- Material : Nylon 66 UL94V-2
- Q' ty: 1,000pcs./Bag

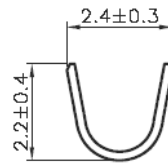
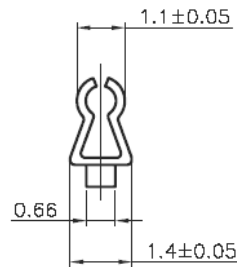
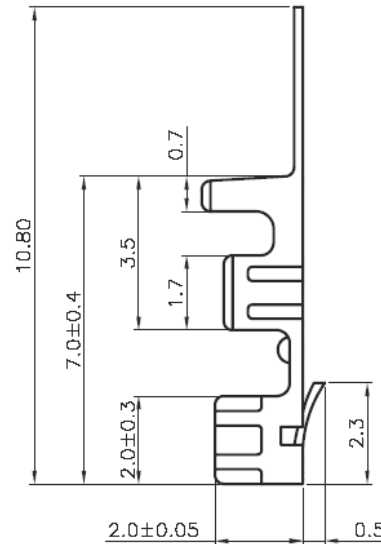
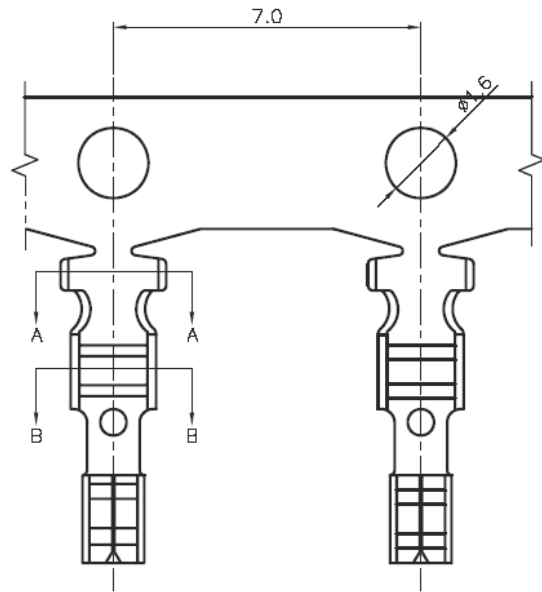
Poles	Part No.	Dimensions(mm)	
		A	B
2	JS-1136-02	2.50	5.80
3	JS-1136-03	5.00	8.30
4	JS-1136-04	7.50	10.80
5	JS-1136-05	10.00	13.30
6	JS-1136-06	12.50	15.80
7	JS-1136-07	15.00	18.30
8	JS-1136-08	17.50	20.80
9	JS-1136-09	20.00	23.30
10	JS-1136-10	22.50	25.80
11	JS-1136-11	25.00	28.30
12	JS-1136-12	27.50	30.80
13	JS-1136-13	30.00	33.30
14	JS-1136-14	32.50	35.80
15	JS-1136-15	35.00	38.30
16	JS-1136-16	37.50	40.80
17	JS-1136-17	40.00	43.30
18	JS-1136-18	42.50	45.80
19	JS-1136-19	45.00	48.30
20	JS-1136-20	47.50	50.80

HO CHIEN
www.hochien.com

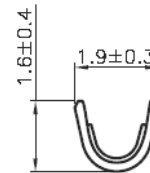
APPROVED BY	SCALE	UNIT	TOLERANCE	LTR	REVISION RECORD	DATE	LTR	REVISION RECORD	DATE
林陳鏢	4:1	mm	.0 ±0.3	ECR	RoHS compliant	07/01/02			
CHECKED BY	PROJ	VER NO.	.00 ±0.2						
			.000 ±0.1						
		α	ALL ±						
			ANGLE						
			0° ±						
			.0° ±						
DRAWN BY	DATE	SIZE							
邱森鴻	2004/12/31	A4							

PART NO JS-1136-XX
2.50mm Crimp Style Connectors Housing

CUSTOMER
Conforms to The RoHS Instruction



A-A SEC



B-B SEC

■ SPECIFICATIONS

- Voltage Rating : 250V AC/DC
- Current Rating : 3A AC/DC
- Withstanding Voltage : 1,000V AC/minute
- Insulation Resistance : 1,000M Ω min.
- Temperature Range : - 25°C to + 85°C
- Contact Resistance : 20m Ω max.

■ TERMINAL

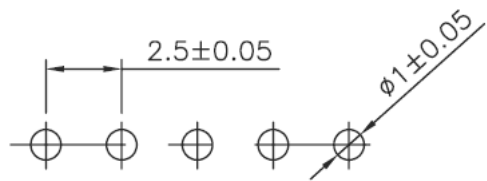
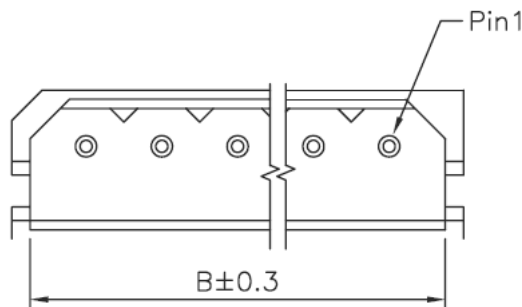
- Part No. : JS-1136-T
- Applicable Wires : AWG# 22 - 28
- Material : Phos.Phor. Bronze
- Finish : Tin Plated
- Thickness : 0.2mm
- Q' ty : 10,000 pcs/Reel

HO CHIEN
www.hochien.com

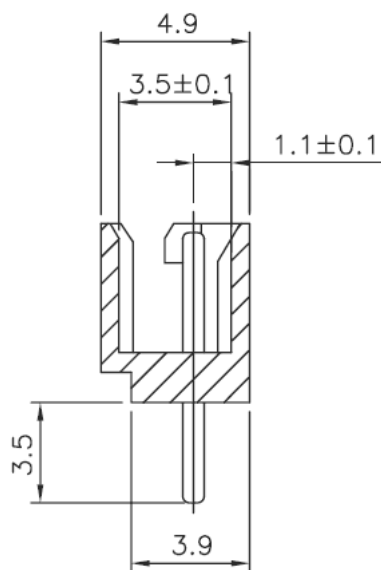
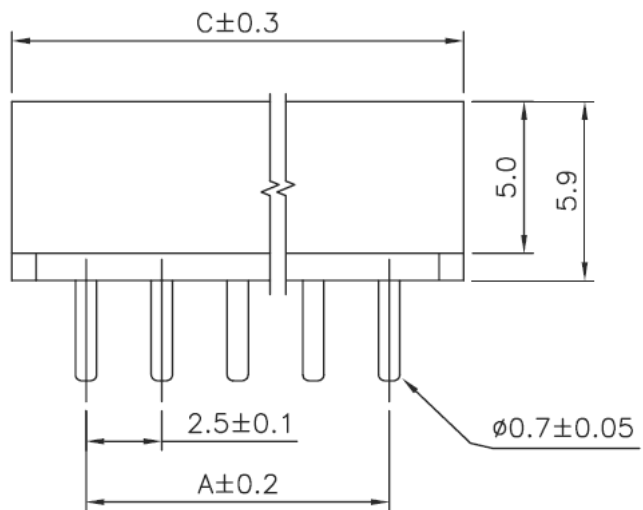
PART NO JS-1136-T

2.50mm Crimp Style Connectors Terminal

APPROVED BY	SCALE	UNIT	TOLERANCE	LTR	REVISION RECORD	DATE	LTR	REVISION RECORD	DATE
林宗		mm	.0 ±0.3	ECR	RoHS Compliant	07/01/05			
CHECKED BY	PROJ	VER NO.	.00 ±0.2	ECR	200710-001	03/10/07			
		a1	.000 ±0.1						
DRAWN BY	DATE	SIZE	ALL ±					CUSTOMER	
黄科源	2007/10/03	A4	ANGLE					Conforms to The RoHS Instruction	
			0° ±						
			.0° ±						



Recommend PCB Layout



■ SPECIFICATIONS

- Voltage Rating : 250V AC/DC
- Current Rating : 3A AC/DC
- Withstanding Voltage : 1,000V AC/minute
- Insulation Resistance : 1,000MΩ min
- Temperature Range : - 25°C to + 85°C
- Contact Resistance : 20mΩ max

■ WAFER

- Part No. : JS-1135-XX (Stright)
JS-1135-XX : GP Produces
- Poles : 2 - 20
- Material : Contact : Brass, Tin Plated
Base : Nylon 66 UL94V-2
- Q' ty: 1,000 pcs./Bag

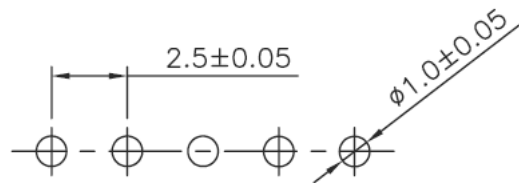
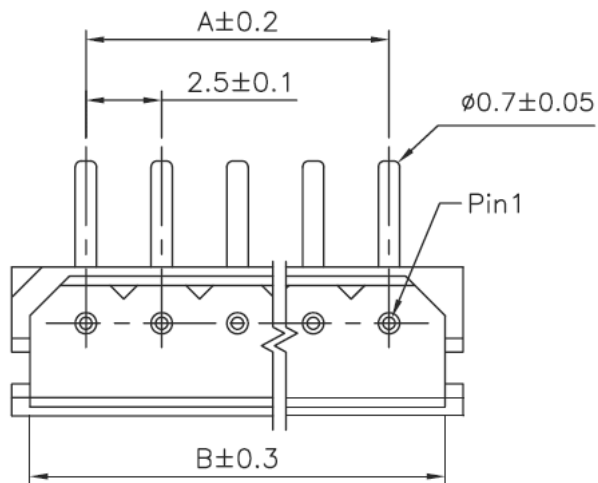
Poles	Part No.	Dimensions (mm)		
		A	B	C
2	JS-1135-02	2.50	6.00	7.50
3	JS-1135-03	5.00	8.50	10.00
4	JS-1135-04	7.50	11.00	12.50
5	JS-1135-05	10.00	13.50	15.00
6	JS-1135-06	12.50	16.00	17.50
7	JS-1135-07	15.00	18.50	20.00
8	JS-1135-08	17.50	21.00	22.50
9	JS-1135-09	20.00	23.50	25.00
10	JS-1135-10	22.50	26.00	27.50
11	JS-1135-11	25.00	28.50	30.00
12	JS-1135-12	27.50	31.00	32.50
13	JS-1135-13	30.00	33.50	35.00
14	JS-1135-14	32.50	36.00	37.50
15	JS-1135-15	35.00	38.50	40.00
16	JS-1135-16	37.50	41.00	42.50
17	JS-1135-17	40.00	43.50	45.00
18	JS-1135-18	42.50	46.00	47.50
19	JS-1135-19	45.00	48.50	50.00
20	JS-1135-20	47.50	51.00	52.50

HO CHIEN
www.hochien.com

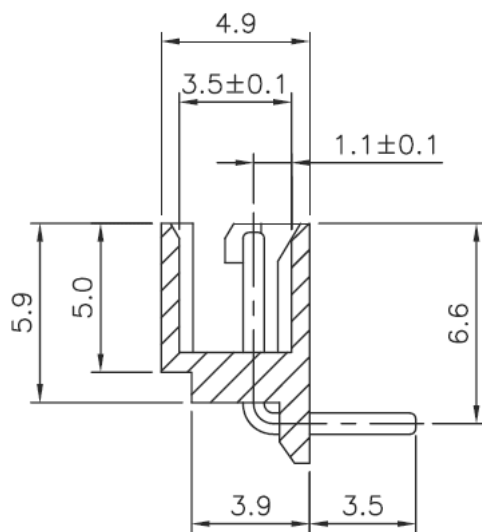
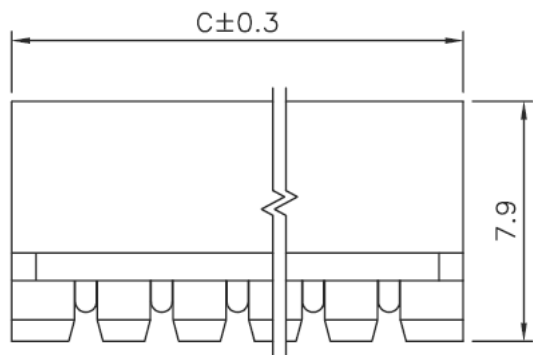
APPROVED BY	SCALE	UNIT	TOLERANCE	LTR	REVISION RECORD	DATE	LTR	REVISION RECORD	DATE
林陳鏢	4:1	mm	.0 ±0.3	ECR	RoHS compliant	07/01/02			
CHECKED BY	PROJ	VER NO.	.00 ±0.2						
			.000 ±0.1						
		a1	ALL ±						
DRAWN BY	DATE	SIZE	ANGLE						
余秀麗	2005/05/15	A4	0° ±						
			.0° ±						

PART NO JS-1135-XX
2.50mm Crimp Style Connectors Wafer

CUSTOMER
Conforms to The RoHS Instruction



Recommad PCB Layout



■ SPECIFICATIONS

- Voltage Rating : 250V AC/DC
- Current Rating : 3A AC/DC
- Withstanding Voltage : 1,000V AC/minute
- Insulation Resistance : 1,000MΩ min
- Temperature Range : - 25°C to + 85°C
- Contact Resistance : 20mΩ max

■ WAFER

- Part No. : JS-1135R-XX (Right Angle)
JS-1135R-XX : GP Produces
- Poles : 2 - 20
- Material : Contact : Brass, Tin Plated
Base : Nylon 66 UL94V-2
- Q' ty: 1,000 pcs./Bag

Poles	Part No.	Dimensions (mm)		
		A	B	C
2	JS-1135R-02	2.50	6.00	7.50
3	JS-1135R-03	5.00	8.50	10.00
4	JS-1135R-04	7.50	11.00	12.50
5	JS-1135R-05	10.00	13.50	15.00
6	JS-1135R-06	12.50	16.00	17.50
7	JS-1135R-07	15.00	18.50	20.00
8	JS-1135R-08	17.50	21.00	22.50
9	JS-1135R-09	20.00	23.50	25.00
10	JS-1135R-10	22.50	26.00	27.50
11	JS-1135R-11	25.00	28.50	30.00
12	JS-1135R-12	27.50	31.00	32.50
13	JS-1135R-13	30.00	33.50	35.00
14	JS-1135R-14	32.50	36.00	37.50
15	JS-1135R-15	35.00	38.50	40.00
16	JS-1135R-16	37.50	41.00	42.50
17	JS-1135R-17	40.00	43.50	45.00
18	JS-1135R-18	42.50	46.00	47.50
19	JS-1135R-19	45.00	48.50	50.00
20	JS-1135R-20	47.50	51.00	52.50

HO CHIEN
www.hochien.com

APPROVED BY	SCALE	UNIT	TOLERANCE	LTR	REVISION RECORD	DATE	LTR	REVISION RECORD	DATE
林陳鏞	4:1	mm	.0 ±0.3	ECR	DG 200511-002	05/11/03			
CHECKED BY	PROJ	VER NO.	.00 ±0.2	ECR	RoHS compliant	07/01/02			
			.000 ±0.1						
			ALL ±						
			ANGLE						
			0° ±						
			.0° ±						
DRAWN BY	DATE	SIZE							
余秀麗	2005/11/03	A4							

PART NO JS-1135R-XX
2.50mm Crimp Style Connectors Wafer

CUSTOMER
Conforms to The RoHS Instruction