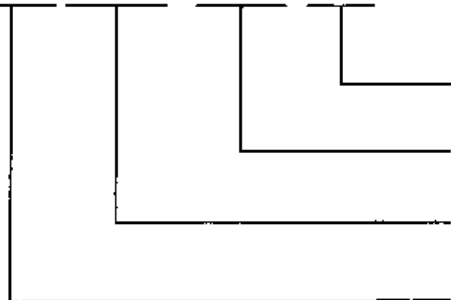
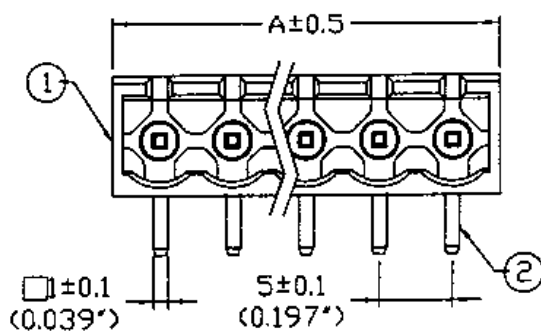
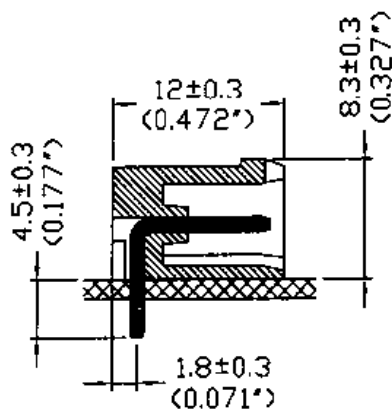
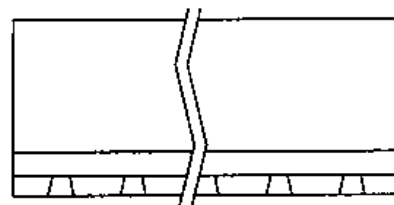
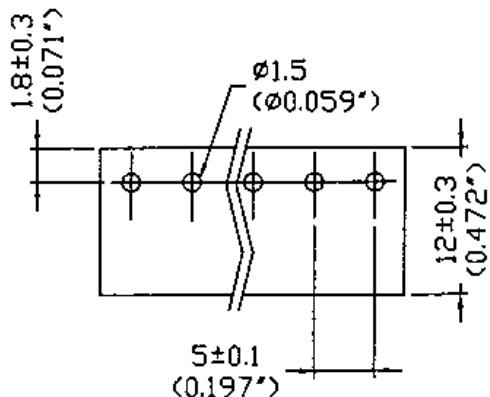


# HCME030-500



 : Poles  
**500** : Pitch 5.00mm  
**030** : Standard  
**ME** : Type

## PCB Layout



Pitch: 5.00mm (0.197inch)					
	A(mm)	A(in)	Poles	A(mm)	A(in)
2	11.60	0.457	15	76.60	3.016
3	16.60	0.654	16	81.60	3.213
4	21.60	0.850	17	86.60	3.409
5	26.60	1.047	18	91.60	3.606
6	31.60	1.244	19	96.60	3.803
7	36.60	1.441	20	101.60	4.000
8	41.60	1.638	21	106.60	4.197
9	46.60	1.835	22	111.60	4.394
10	51.60	2.031	23	116.60	4.591
11	56.60	2.228	24	121.60	4.787
12	61.60	2.425	25		
13	66.60	2.622	26		
14	71.60	2.819	27		

Current rating : 16Amp AC300V  
 Insulation withstands volt : AC2000V min  
 Insulation resistance : >2000MΩ DC500V  
 Operation temperature : -40°C to +105°C

	Material	Plating/Finish	Remark
1	Insulating body	Polyamide 66(UL94V-0)	Green
2	Solder pin	Brass	Tin plated

# HO CHIEN

[www.hochien.com](http://www.hochien.com)