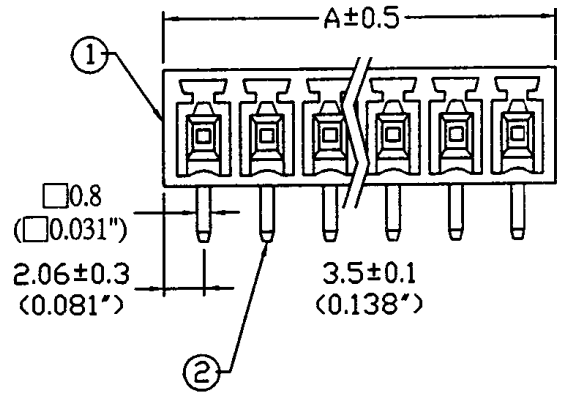
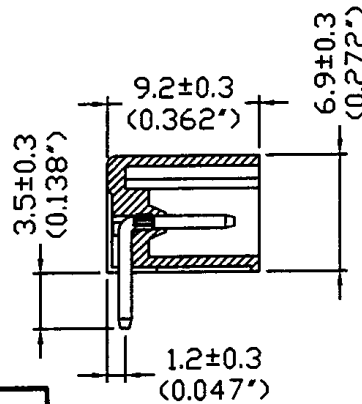
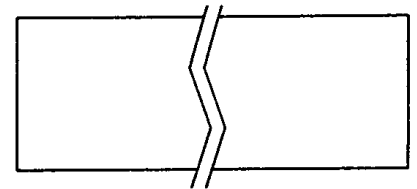
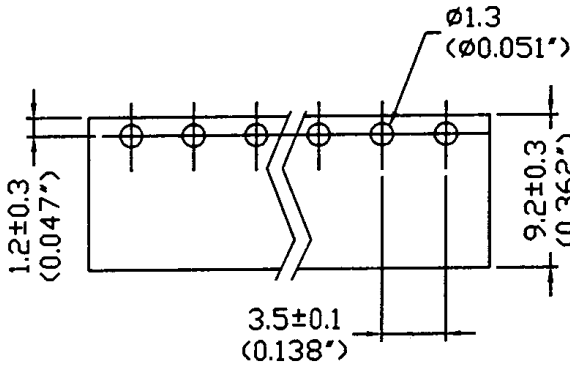


# HCME030-350 □□



□□ : Poles  
 350 : Pitch 3.50mm  
 030 : Standard  
 ME : Type

## PCB Layout



Pitch: 3.50mm (0.138inch)					
Poles	A(mm)	A(in)	Poles	A(mm)	A(in)
2	7.60	0.299	15	53.10	2.091
3	11.10	0.437	16	56.60	2.229
4	14.60	0.575	17		
5	18.10	0.713	18		
6	21.60	0.850	19		
7	25.10	0.988	20		
8	28.60	1.126	21		
9	32.10	1.264	22		
10	35.60	1.402	23		
11	39.10	1.539	24		
12	42.60	1.677	25		
13	46.10	1.815	26		
14	49.60	1.953	27		

Current rating : 12Amp AC150V  
 Insulation withstands volt : AC2000V min  
 Insulation resistance : >2000MΩ DC500V  
 Operation temperature : -40°C to +105°C

	Material	Plating/Finish	Remark
1	Insulating body	Polyamide 66(UL94V-0)	Green
2	Solder pin	Brass	Tin plated