

## SPECIFICATION :

### 1. Electrical Char.

Insulation Resistance : 500M-Ohm Min.  
 Contact Resistance : 20milli-Ohm Max.  
 Rating Current : 1.5A Max.  
 Rating Voltage : 120V AC  
 Dielectric Voltage : 1,000 Vrms 60 Sec. Min.

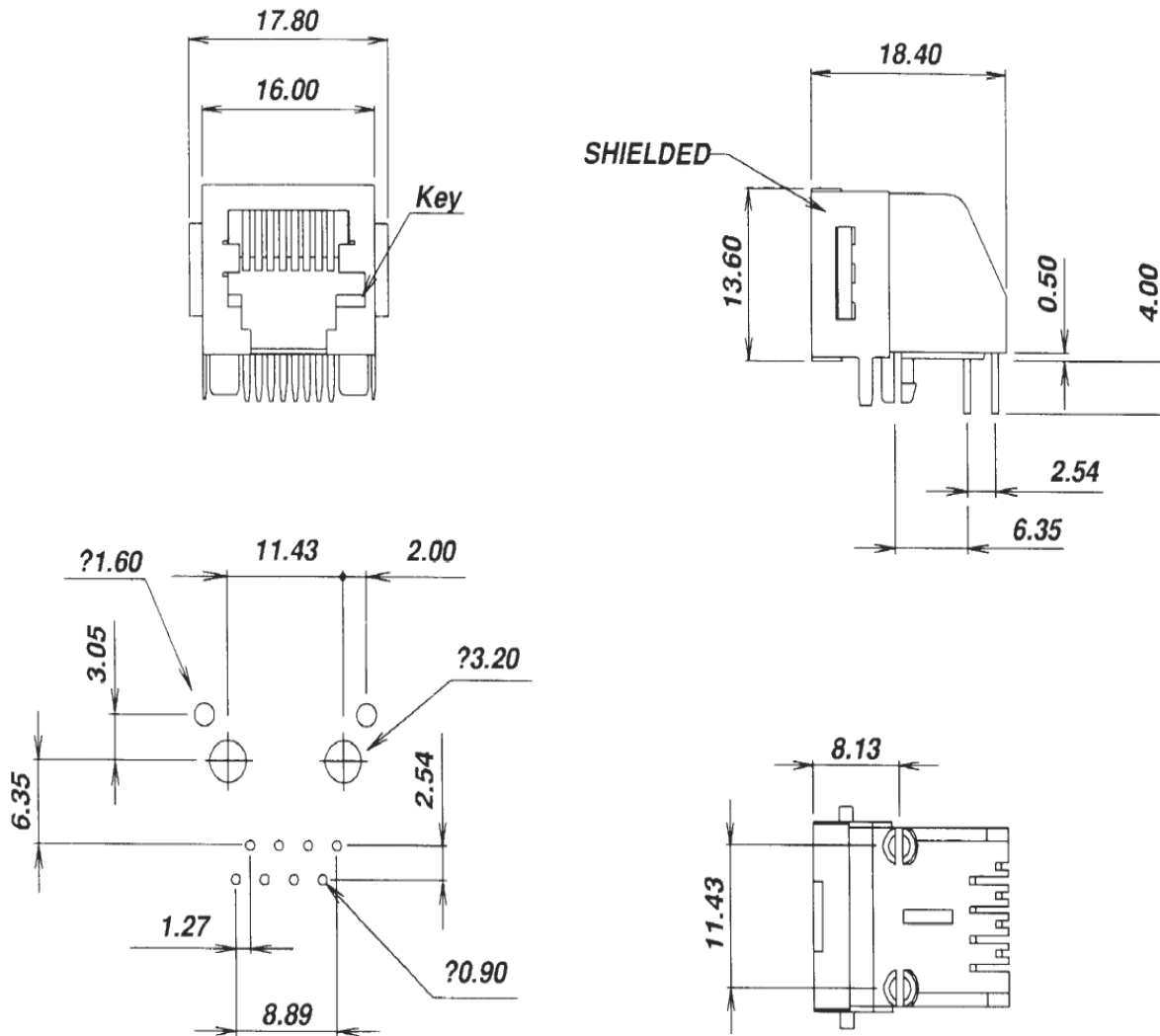
### 2. Physical char.

Housing : PBT 20% Glass Filled (UL 94V-0)  
 Color : Black Color  
 Spring Wire : 0.35mm Thickness Phosphor Bronze  
 Gold Plating Over Nickel  
 Temperature Range : - 40/+90 Deg C  
 Durability : 500 Mating cycles Min.

**HC-031SH-8k-F-X**

F=8p8c

Gold plated	1=15u , 3=50u
	2=30u , 4= 6 u



**PCB LAYOUT**

# HO CHIEN

TITLE

RJ45 Very Low Profile PCB Jack

UL & cUL FILE NO. E131820

MODULAR JACKS ASSY FOR

HC-031SH-8k-F-X

SCALE SIZE DWG. NO. 9631-S SERIES

NOT SCALED DRAWING	TOLERANCE UNLESS OTHERWISE NOTICE	INCH	MM	DR.	DATE
THIRD ANGLE PROJECTION	LINEAR	00±0.1 000±0.05 0000±0.02	00±0.25 000±0.13 0000±0.05	Steven Johnn Billy	MAR-31 '03 MAR-31 '03 MAR-31 '03
MM INCH	ANGLE +0°30'	RADIL	+0.45 -0.15	APP'D	

DWG. NO.

**AS031027**