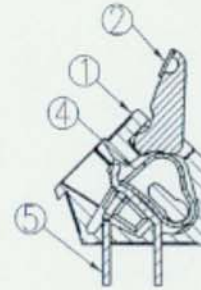
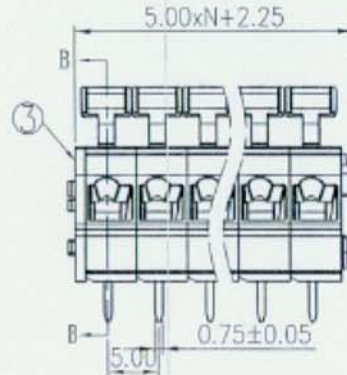
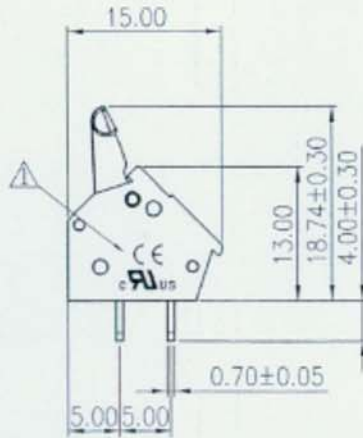
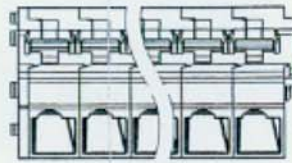
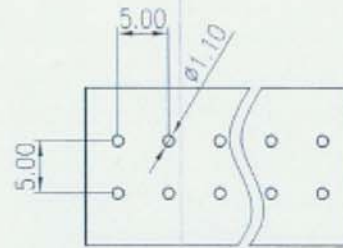


REVISION RECORD					
REV	ECO	DESCRIPTION	DRFT	DATE	
△		增加几刻字	CSX	07/21/07	
△		品名、料号增加符号标示"00"	LJH	12/06/07	
△		修改参数	LJH	12/18/08	
△		增加料号"0000000000"	LJH	06/15/09	



SECTION B-B



TOP VIEW-LAYOUT

Notes:

1. Pitch: 5.0mm, Poles: XXP
2. Rated voltage/current: UL 300V/15A  
IEC 250V/16A △
3. Operation temperatures: -40°C ~ +105°C
4. Withstanding Voltage: AC2000V/1min
5. Insulation Resistance: 5000MΩ/DC1000V
6. Wire Range: 28~12AWG, 2.5mm<sup>2</sup>
7. Undimensioned Tolerances:

Pitch range in mm		Nominal dimension range in mm				
over 6	over 10	over 30	over 60	over 100	over 150	∩
to 6	to 10	to 30	to 60	to 100	to 150	□
±0.10	±0.15	±0.25	±0.2	±0.3	±0.5	±0.7 ± 1.0 0.005/0.125

2	DG243-5.0-Button	3027D1701A(H)	XX	POM	UL94HB
1	DG243-5.0-Housing	3027A0Y01A(H)	XX	PA66	UL94V-0
ITEM	NAME OF PART	NO. OF PART	Q'TY	MATERIAL	NOTES

← mm (INCH) →	DATE 01/20/07
TOLERANCES EXCEPT AS NOTED	DATE 4/10/09
M/M	APPL. DATE
0.0 ±	
0.00 ±	
0.000 ±	
ANGLES ± 1°	MATERIAL :
THIRD ANGLE PROJECTION	G.E. :
	FINISH :
	SCALE :

HO CHIEN  
www.hochien.com

NAME  
DG243-5.0-XXP-1Y-00A(H)

DRAWING NO. DG243-5.0-E01  
/PART NO.

DO NOT SCALE DRAWING  
SHEET 1 OF 1

5	DG245 Pin header	3025B00010 (H)	XX	Phosphor bronze	SnCe
4	DG242 Spring	X000000991 (H)	XX	Stainless steel	
3	DG243-5.0-COVER	3027C0Y01A (H)	1	PA66	UL94V-0