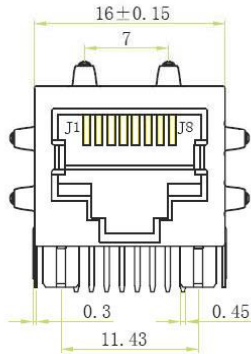
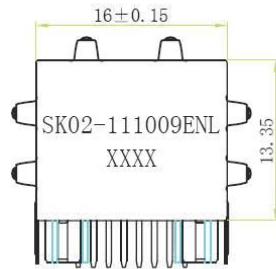
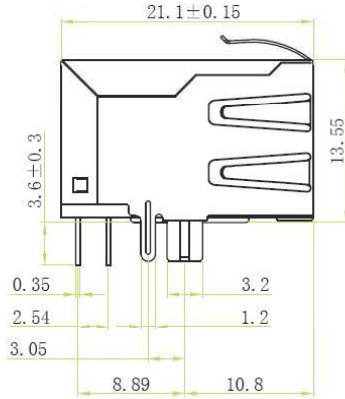
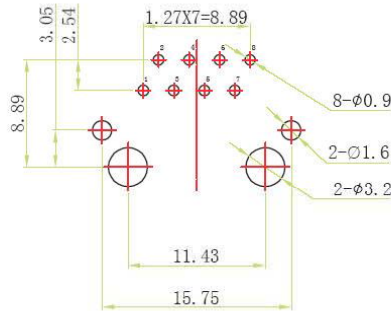


# 1, MECHANICAL



PC Board Layout



**ORDER INFORMATION:**

SK02- 11 1 009E NL -(Y/N)  
 A B C D E F

- A: IT STANDS FOR THE RJ45 DESIGNER: SUCH AS SK OR OTHER. 01 OR 02 STANDS FOR AS FOLLOWIG: 01= TAB UP, 02= TAB DOWN.
- B: THE PARTS ARE SINGLE OR MULTI-PORTS: SUCH AS SK01-11XXXX . IT MEANS 1X1 SINGLE PORT. SK01-21XXXX, MEANS 2X1 OR 1X2, IT IS A DUAL PORTS RJ45 FILTERED CONNECTOR. "G" THE MEAN IS 1000BASE REQUIREMENT.
- C: TELLS IT IS A LEDS VERSION OR NOT, "1" MEANS WITH LEDS, "0" OR ELSE IS WITHOUT LEDS.
- D: IT STANDS FOR THE PARTS'S SERIES NO.
- E: NL=ROHS COMPLAINT.
- F: CONTACT PLATING CODE: NORMAL TYPE IS NO MARK, IT STANDS THANDS THE CONTACT AREA OF CONTACT PIN IS 6U" GOID PLATNG. MORE THAN 6U" NEED MARK 15 OR 30 OR 50. ETC.

REVISIONS

REV.	DESCRIPTION	ECN NO.	DATE
A	FIRST RELEASE		2010. 11. 16



## GENERAL SPCEIFICATION

- 1、DESIGNED FOR NETWORK INTERFACE CARD APPLCATON
- 2、MEETS OR EXCEEDS IEEE802.3 STANDARDS INCLUDING 350UH OCL WITH 8MADC
- 3、HIGH PERFORMANCE FOR EMI SUPPRESSION, CROSSTALK RETURN LOSS AND CONSTENT ELECTRICAL
- 4、MINIMUM 1500VRMS ISOLATION PER IEEE802.3 REQUIREMENT
- 5、LESS MAGNETIC COMPONENTS TO PLACE ON PCB, HIGHER REKIABILITY AND YIELDS
- 6、STORAGE TEMP RANGE: -25℃ TO +85℃
- 7、OPERATING TEMP RANGE: 0℃ TO +70℃
- 8、FW: WITHSTAND VOLTAGE TEST RESULT -1.5KV AMONG ADJACENT CONTACT AND 2.0 KV BETWEEN CONTACT AND SHIELD REQUEST
- 9、MATERIAL

HOUSING: PA6T OR PBT FILLED WITH FIBERGLASS  
 INSERT MATERIAL: PBT FILLED WITH FIBERGLASS  
 SHIELDING: 0.2MM THICKNESS COPPER ALLOY WITH NICKEL PLATED  
 CONTACT: 0.35MM THICKNESS PHOSPHOR BRONZE, HARD GOLD GOLD PLATED OVER TIN  
 GOLD PLATNG: < 3 μ " INCH  3 μ " INCH  6 μ " INCH   
 15 μ " INCH  30 μ " INCH  50 μ " INCH

TOLERANCE RATE			
dimension	A	B	C
0 - 4	0.05	0.10	0.20
4 - 16	0.08	0.15	0.30
16 - 64	0.12	0.25	0.50
64 - 250	0.25	0.40	0.80

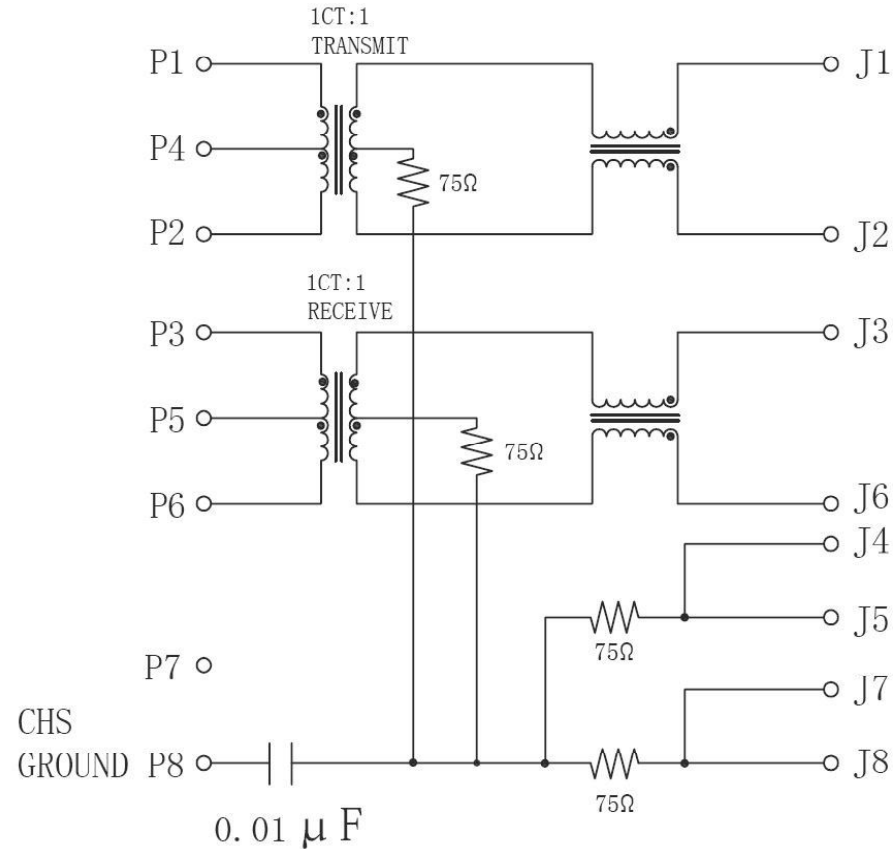
**HO CHIEN**  
 WWW.HOCHIEN.COM

TITLE: 10/100/1000 BASET 1x1  
 TAB-DOWN RJ45 WITH LED

APPROVALS		Date	Page	PART NO: SK02-110009ENL
DRAWN BY:	LongZou	2010. 11. 16		
PROJ. ENG:	SkyGuo	2010. 11. 16		
APPROVED BY:			Total	REV: C
			2	DWG NO: CSAK-0277



## 2, ELECTRICAL



## ELECTRICAL SPECIFICATIONS

ALL TEST CONDITIONS @ 25 °C UNLESS OTHERWISE NOTED

INSERTION LOSS: 1-65MHZ-1.0dB MAX

RETURN LOSS: 1MHZ TO 10MHZ : -18dB MIN  
 10MHZ TO 30MHZ : -14dB MIN  
 30MHZ TO 60MHZ : -12dB MIN  
 60MHZ TO 80MHZ : -10dB MIN

CROSSTALK: 1MHZ TO 30MHZ : -35dB MIN  
 30MHZ TO 60MHZ : -35dB MIN  
 60MHZ TO 100MHZ : -30dB MIN

COMMON MODE REJECTION: 1-50MHZ : -20dB MIN  
 50-150MHZ : -15dB MIN

HIPOT: 1500V AC 6S 1MA

OCL: 350UH MIN @ 100KHZ 100MV 8MA DC

DCR: COIL RESISTANCE 1.5 Ω Max

C=1000pf ± 25%, R=(75+75) Ω ± 25%

**ORDER INFORMATION:**

SK02-111009F NL-(Y/N)  
 A B C D E F

- A: IT STANDS FOR THE RJ45 DESIGNER: SUCH AS SK OR OTHER, 01 OR 02 STANDS FOR AS FOLLOING: 01=TAB UP, 02=TAB DOWN.
- B: THE PARTS ARE SINGLE OR MULTI-PORTS: SUCH AS SK01-11XXXX, IT MEANS 1X1 SINGLE PORT, SK01-21XXXX, MEANS 2X1 OR 1X2, IT IS A DUAL PORTS RJ45 FILTERED CONNECTOR. "G" THE MEAN IS 1000BASE REQUIREMENT.
- C: TELLS IT IS A LEDS VERSION OR NOT, "1" MEANS WITH LEDS, "0" OR ELSE IS WITHOUT LEDS.
- D: IT STANDS FOR THE PARTS'S SERIES NO.
- E: NL=ROHS COMPLAINT.
- F: CONTACT PLATING CODE: NORMAL TYPE IS NO MARK, IT STANDS THANDS THE CONTACT AREA OF CONTACT PIN IS 6U" GOLD PLATING. MORE THAN 6U" NEED MARK 15 OR 30 OR 50, ETC.

<h1>HO CHIEN</h1> <p>WWW.HOCHIEN.COM</p>		TITLE: 10/100/1000 BASET 1x1 TAB-DOWN RJ45 WITH LED	
		PART NO: SK02-110009ENL	
APPROVALS		Date	Page 2
DRAWN BY: LongZou		2010.11.16	
PROJ. ENG: SkyGuo		2010.11.16	Total 2
APPROVED BY:			
REV: C		DWG NO: CSAK-0277	

old No.	
original No.	
date	sign

J00-0061NL