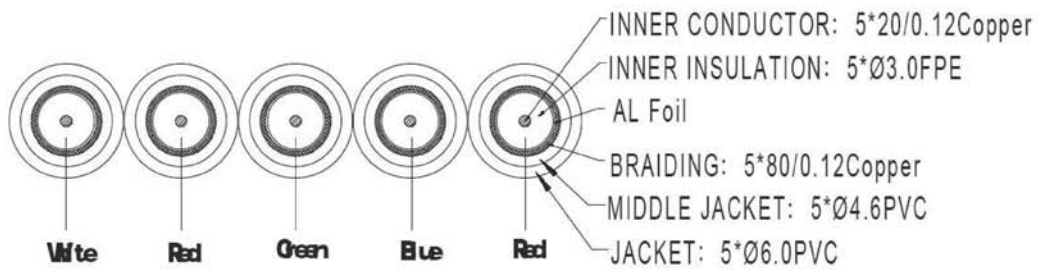
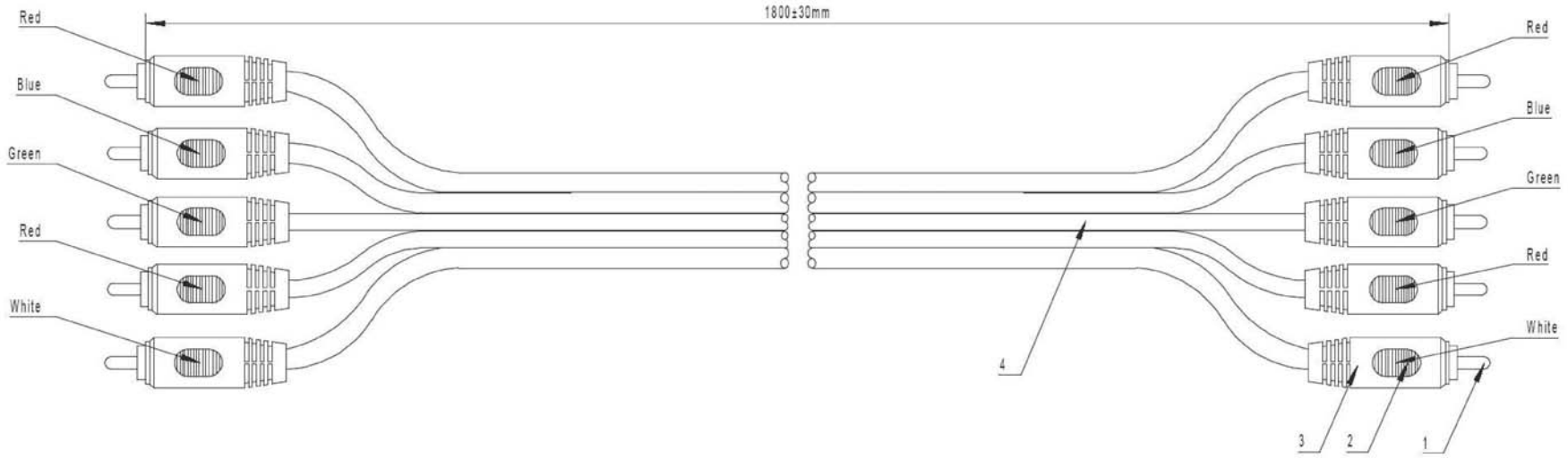
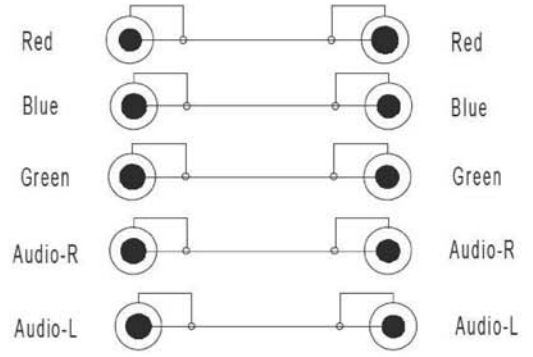


ECN MARK	ECN NO.	DESCRIPTION	DATE



CABLES SPEC



Wire method

4		CABLE 5*Ø6.0PVC, BLACK	1PC	Length according to client
3		OVER MOULDING II	10PCS	BLACK PVC
2		OVER MOULDING I	10PCS	Red 4PCS, White/Blue/Green EACH 2PCS
1		RCA PLUG CONNECTOR Gold-Plated	10PCS	
ITEM.	DWG NO.	DESCRIPTIONS & SPECIFICATIONS	QTY.	REMARK

DES.	Wang Jifa June 9, 2009	MTL.		MDL.	GLT9715T
CHK.		TRL.		PDT.	5RCA(P-P) A/V CABLE (MOULDED)
APPR.		QTY.	VER.	SCL.	Title.
www.hochien.com			A-1		J09-GLT9715T-00
Unit: MM		Page 1		Pages 1	Drw. NO. CA-M0129-0001