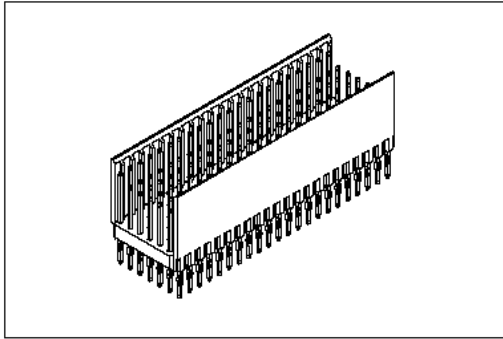


# 9111 Series

## Hard Metric Connector Male Type B-22

www.hochien.com



### Material:

Housing: 30% Glass Filled PBT UL94V-0.

Contacts: Phosphor Bronze.

### Electrical Characteristics:

Current Rating : 1 A.

Dielectric Withstanding Voltage: AC 750V.

Insulator Resistance: 10000MΩ min.

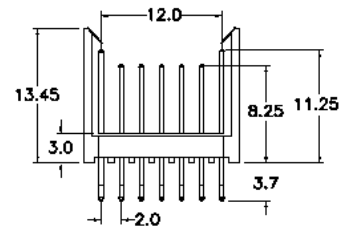
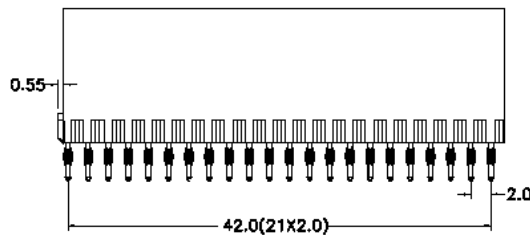
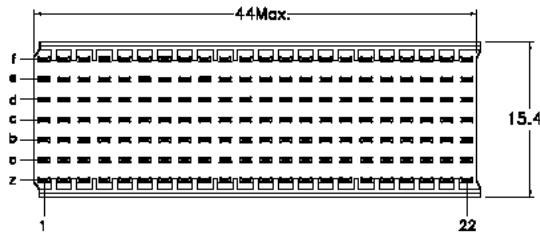
Contact Resistance: 20mΩ max.

Operating Temperature: -55°C ~+105°C .

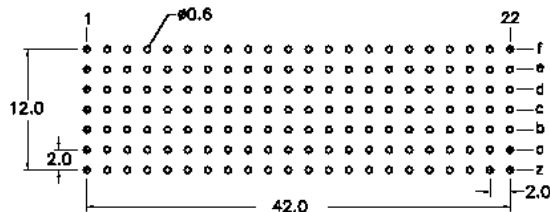
### Features:

\* Type B Straight Male.

5 X 22 Signal and 44 Ground Shield Contact.



A Option



P.C. Board Layout  
(Top View)

### Coding:

9111-	<u>7</u>	<u>1</u>	<u>B</u>	<u>154</u>	<u>A</u>	<u>C</u>	<u>10</u>	<u>U</u>
Series	7Row	1: Male	B: Type B	Housing Type	A: A Option	C: Dip Tin Contact Gold G: Gold	10: 10μ# 30: 30μ#	U: Tube Package