

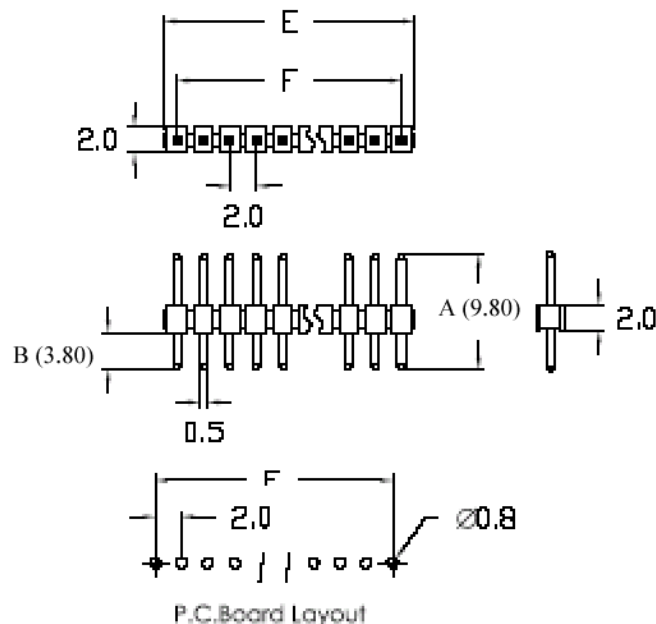
REVISION	DESCREPTION	DATE	APPD
0	SET UP	9/4/09'	C.Y.LIN

Material:


Contact: Phosphor Bronze
 Contact Plating: Gold over 0.000100" Nickel Underplating
 Insulator: PBT & 30% glass fiber reinforced thermo plastic; rated UL94V-O
 Insulator Color: Black
 Mini Jumper: 2546-07 Series

Electrical:

Current Rating: 1 Amp Max.
 Contact Resistance: 20 Milliohms. Max.
 Insulation Resistance: 5000 Megohms Min. DC 500V
 Dielectric Strength: 500V AC
 Operation Temperature: -55oC to +140oC



Dimension (mm)	
Tolerance : ±0.2	
E	2.00 x No. of position per Row
F	2.00 x No. of position per Row - 2.00

	HO CHIEN ENTERPRISE CO. LTD	
	TITLE : 2.0mm CENTER UN-SHROUDED HEADER STRIP SINGLE STRAIGHT	
PAGE:	1 OF 1	HO CHIEN P/N. 2524-1X_G9.8

DR: RON CHEN	CHK: J.T,CHEN	APPD: C.Y.LIN
--------------	---------------	---------------