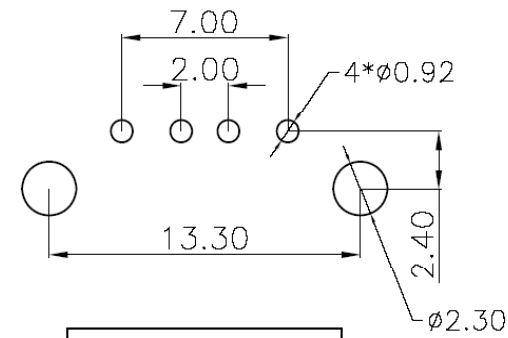
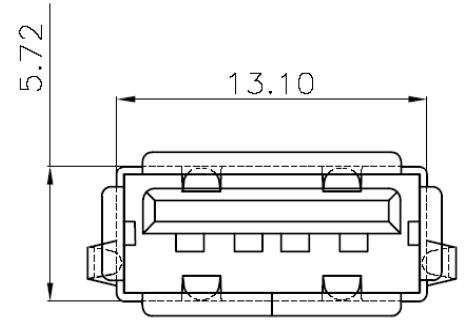
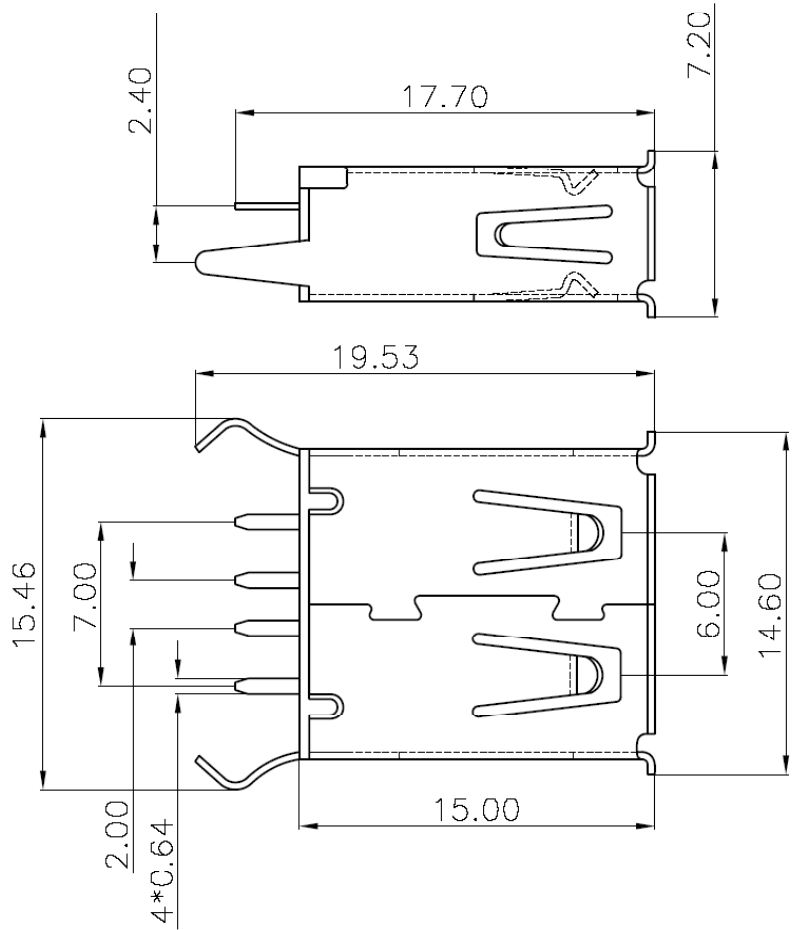


REV.	ECN NO	LOCATIONS	DESCRIPTION	DATE	REVISER	APPO



Note:

1.Material:

- 1.1 Insulator: High temperature thermoplastic with g.f.UL94v-0
- 1.2 Contact: Copper alloy,t=0.25mm
- 1.3 Shell: Brass,t=0.30mm

2.Specification:

- 2.1 Current rating: 1 A Max.
- 2.2 Dielectric withstanding voltage: 750 V(ac) for 1 min.
- 2.3 Contact resistance: 30 m Ω Max.
- 2.4 Insulation resistance: 1000 M Ω Min.
- 2.5 Total mating force: 4.0 Kgf Max.
- 2.6 Total unmating force: 1.0 Kgf Min.
- 2.7 Temperature range: -55°C~85°C

8				
7	shell			Nickel
6	Clip			
5	Contact			Seictive Au plated on mating area
4	Contact			
3	Contact			
2	Contact			
1	Housing			white
No.	Name	Q'ty	Part No.	Finish

PART NO:		MATERIAL:		HO CHIEN www.hochien.com		
MODEL NO:		FINSH:				
UNIT: mm	SIZE:	COLOR:		PART NAME:		
TOLERANCE UNSPECIFIED		DR: <i>YuHong</i>		USB-A TYPE P.C.B(F)180'		
x	± 0.3	CHK: <i>Nick</i>		DWG NO: USB-002-03	REV: A0	
.xx	± 0.20	APP: <i>Kent</i>		SCALE: 3:1	SHEET: 1 of 1	
.xxx	± 0.100					
ANG	$\pm 1'$					