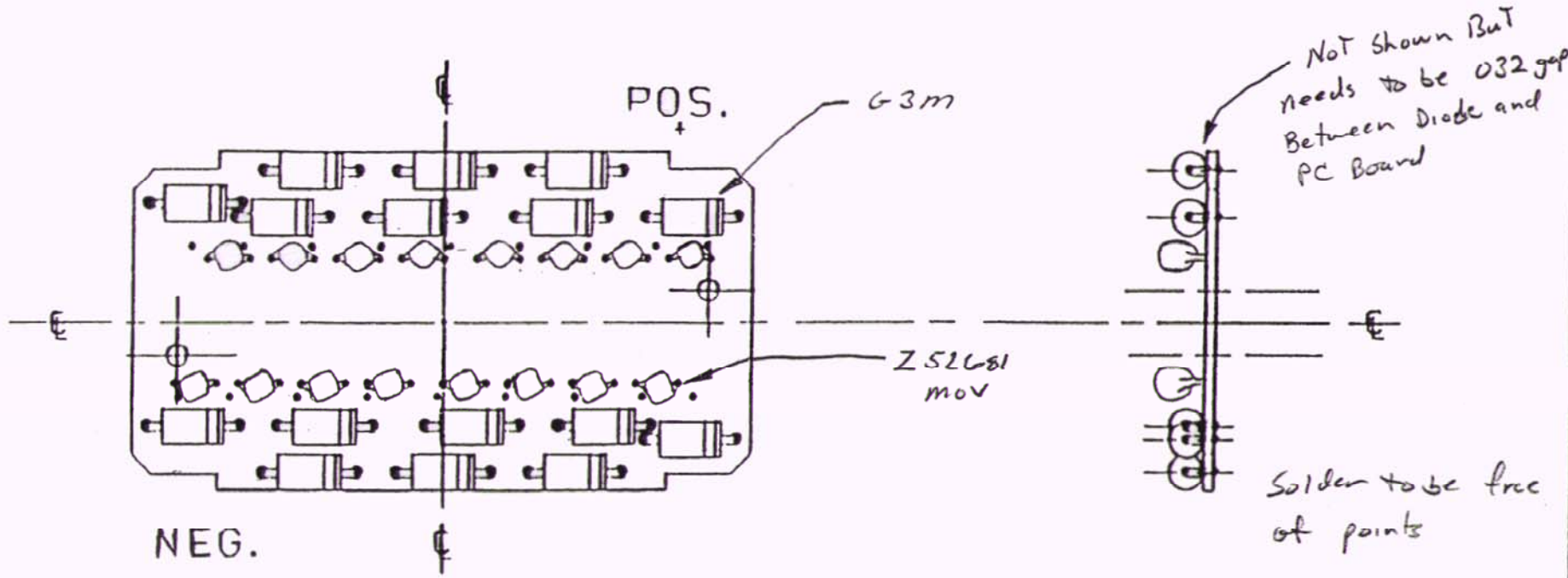


34-1903



REVISIONS	THIS DRAWING IS THE PROPERTY OF CKE, INC. AND TRANSMITTED IN CONFIDENCE. THE REPRODUCTION, USE OR DISCLOSURE, IN WHOLE OR IN PART, OF THE DESIGN OR DETAILS CONTAINED HEREIN IS PROHIBITED WITHOUT THE WRITTEN PERMISSION OF CKE, INC.	TOLERANCE, UNLESS OTHERWISE SPECIFIED DECIMAL ±.005 FRACTIONAL ±1/64	DWN DATE DEG 1/15/93	PC BOARD ASSY 535 MOV COMPENSATED	CKE Inc. Lucernemines, Pa. 15754 L 34-1903 DRAWING NUMBER
			CKD DATE JRF 1/15/93		
			APP DATE		
			APP DATE		
			SCALE		