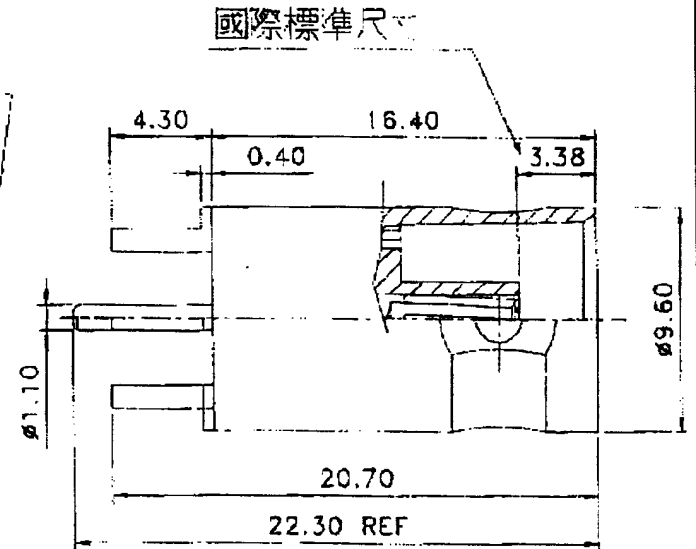
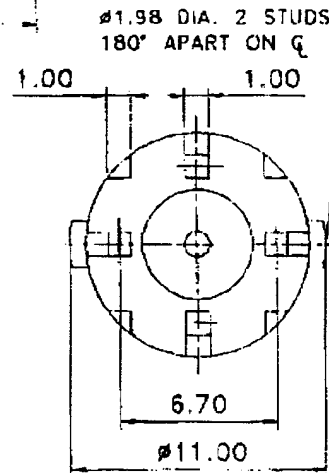
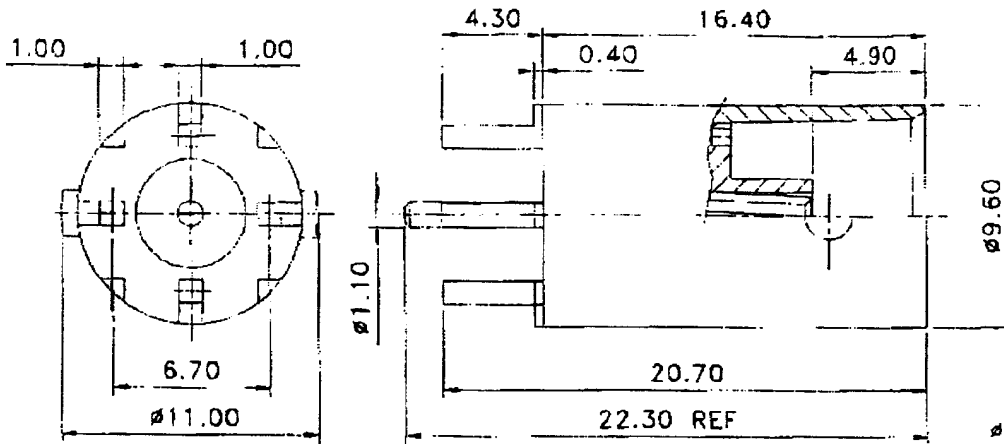


REVISION	DESCRIPTION	DATE	APPD
0	TROMPETER P/N# UCBJ224	7/25/01	CY



NOTE I

MATERIAL

Pin Contact: Beryllium Copper : Gold Plated 50u" over 100u" Ni
 Shell: Brass; Immersion Gold
 Dielectric: Teflon

NOTE II

ELECTRICAL PERFORMANCE

Minimum mating cycles: 500
 Impedance: 75 Ohm
 Insulation resistance: 5000 Megohm min. at 500 VDC
 Peak voltage rating: 500V
 Dielectric withstanding: 1500V RMS
 Temperature Range: -55°C to +155°C

Vibration, shock and temperature cycling in accordance with MIL-STD-1344
 Interface dimensions similar to MIL-C-39012

S-6204-002
PART NUMBER

MATERIAL SEE NOTE I	DR MONICA YOUNG	HO CHIEN ENTERPRISE CO. LTD.	
	CHK Z T CHEN		
ELECTRICAL PERFORMANCE SEE NOTE II	APPD C Y LIN		BNC CONNECTOR; RECEPTACLE VERTICAL PCB MOUNT; ZINC DIE CAST; FOUR LEG
	APPD		

THIS DRAWING IS A CONTROLLED DOCUMENT OF HO CHIEN ENTERPRISE CO. LTD. IT IS SUBJECT TO CHANGE

UNIT in. [mm]	SCALE	WEIGHT	PAGE 1 OF 1	HO CHIEN P/N NO. S-6204-002
------------------	-------	--------	----------------	--------------------------------