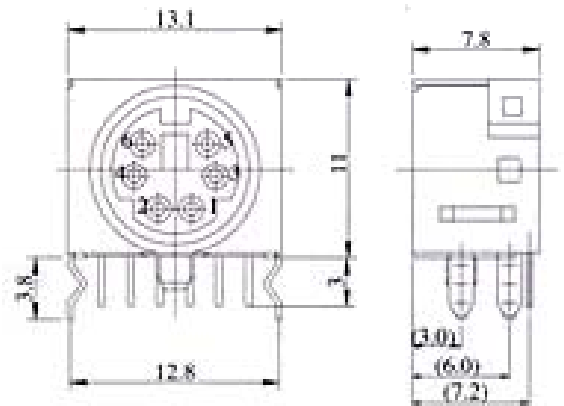
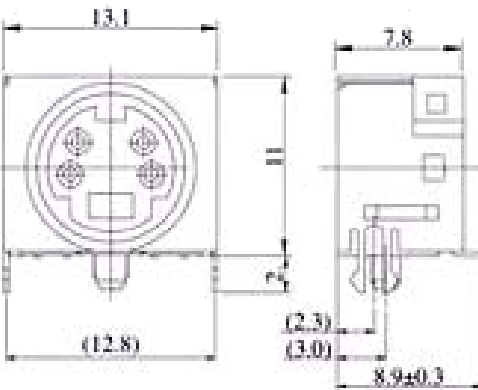
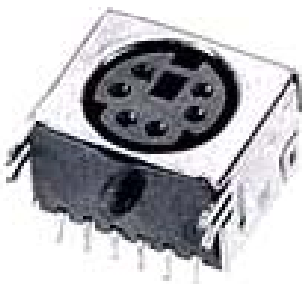


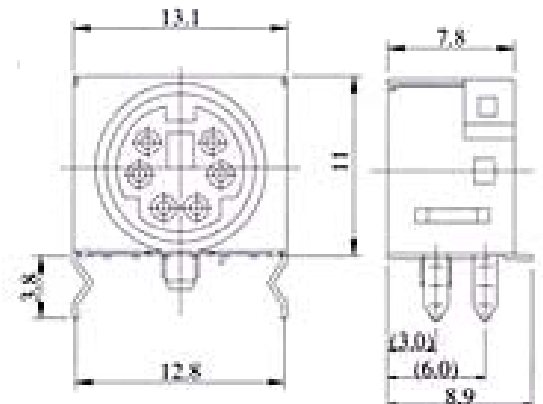
PCB TYPE
MDC-404 & MDC-406



PCB TYPE
MDC-414 & MDC-416



SMT TYPE
MDC-504 & MDC-506



SMT TYPE
MDC-514 & MDC-516

ARRANGEMENT OF CONTACTS				
NO. OF CONTACTS	4	6	4	6
MODEL NO.	MDC-404	MDC-406	MDC-504	MDC-506
HOLE LAYOUT				
MODEL NO.	MDC-414	MDC-416	MDC-514	MDC-516
HOLE LAYOUT				