

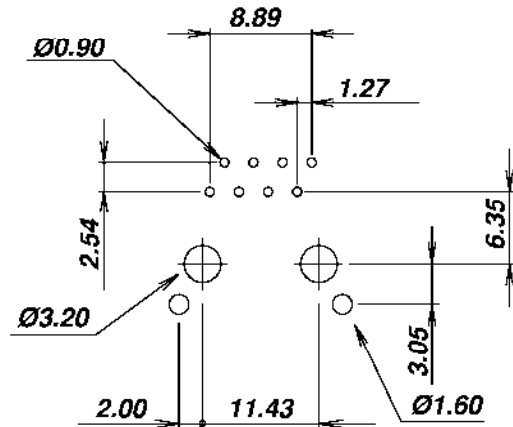
SPECIFICATION :

1. Electrical Char.

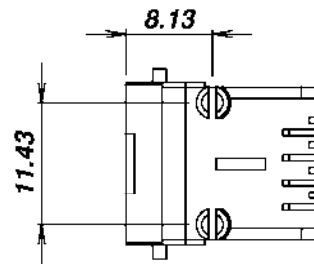
Insulation Resistance : 500M-Ohm Min.
 Contact Resistance : 20milli-Ohm Max.
 Rating Current : 1.5A Max.
 Rating Voltage : 120V AC
 Dielectric Voltage : 1,000 Vrms 60 Sec. Min.

2. Physical char.

Housing : PBT Glass Filled (UL 94V-0)
 Color : Black Color
 Spring Wire : 0.35mm Thickness Phosphor Bronze
 Gold Plating Over Nickel
 Temperature Range : - 25 /+90 Deg C
 Durability : 500 Mating cycles Min.

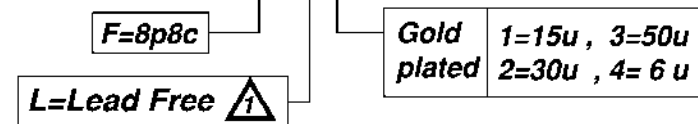


**PCB Layout
(Top View)**



⚠ Note : Total CD(cadmium) Content< 5PPM(mg/kg)
 Test Method : EN1122:2001 Method (ICP-AES)
 : Total Pb(Lead) Content< 100PPM(mg/kg)
 Test Method : US EPA3050B (ICP-AES)

HC-031SH-8-F-LX



HO CHIEN

www.hochien.com

TITLE
 RJ45 Very Low Profile PCB Jack
 UL & cUL FILE NO. E131820

MODULAR JACKS ASSY FOR
HC-031SH-8-F-LX

SCALE SIZE DWG. NO. 9631-S SERIES

NOT SCALED DRAWING	TOLERANCE UNLESS OTHERWISE NOTICE	INCH	MM	DR.	DATE
 THIRD ANGLE PROJECTION	LINEAR $\frac{MM}{INCH}$	00±0.01	00±0.25	Steven	MAR-10 '05
		000±0.005	000±0.13	Johnn	MAR-10 '05
	ANGLE ±0°30'	RADIL	+0.45 -0.15	Billy	MAR-10 '05

DWG. NO.

AS031018-L