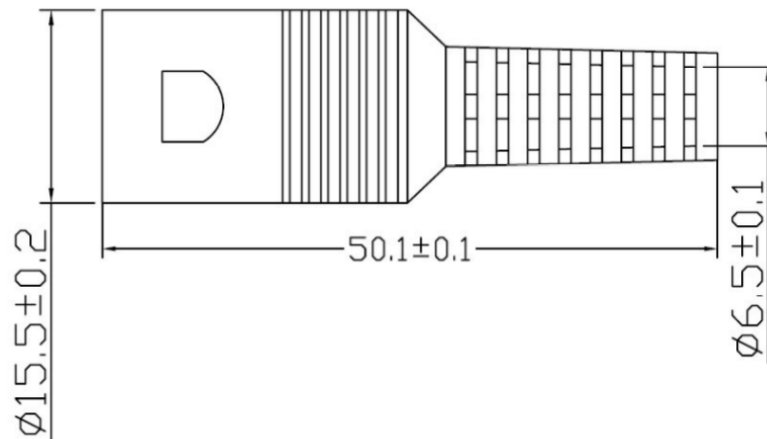
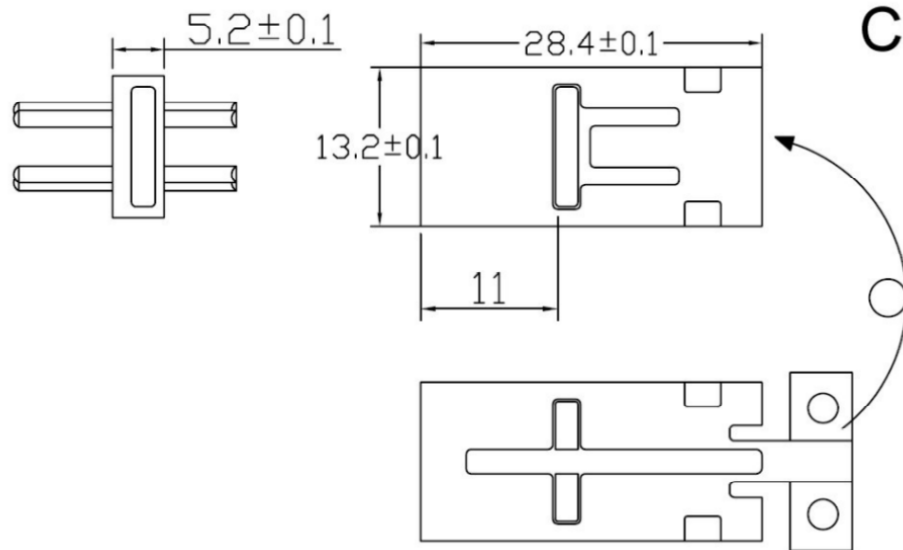


**Coding: 46000-X (3,4,5,6,7,8 Position)**



**MATERIALS:**

- A. BOOT: PVC
- B. METAL PART: STEEL NICKEL PLATED
- C. INSULATOR: PBT
- D. PIN CONTACT: BRASS NICKEL PLATED

RoHS COMPLIANT

UNIT: mm

|                            |                            |
|----------------------------|----------------------------|
| HO CHIEN                   |                            |
| TITLE: DIN PLUG ASS'Y TYPE |                            |
| PAGE: 1 OF 1               | HO CHIEN P/N. 46000 SERIES |

|     |      |       |
|-----|------|-------|
| DR: | CHK: | APPD: |
|-----|------|-------|