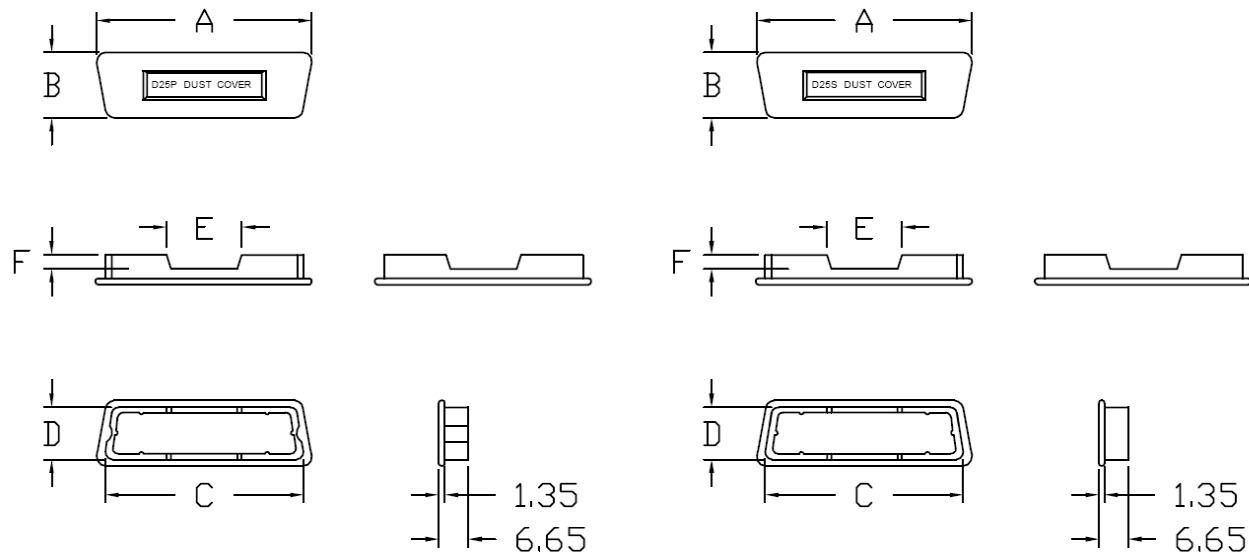


DC - □□ P

DC - □□ S



**NO. OF CONTACT**

- 09=9Pin
- 15=15Pin
- 25=25Pin
- 37=37Pin
- 50=50Pin

**CONTACT TYPE**

- P=Male
- S=Female

DC - □ □ □

MATERIAL							
INSULATOR : P.E							
COLOR : TRANSPARENT WHITE							
Dimension ( mm )						Tolerance : $\pm 0.2$	
Position	Male ( P ) / Female ( S )	A	B	C	D	E	F
DC - 09	Male ( P )	24.45	14.72	21.40	12.69	9.87	2.96
	Female ( S )	22.53	13.21	19.88	11.20		2.92
DC - 15	Male ( P )	32.85	14.72	30.19	12.69	11.90	2.96
	Female ( S )	31.03	13.21	28.27	11.20		2.92
DC - 25	Male ( P )	46.26	14.72	43.44	12.69	13.85	2.96
	Female ( S )	44.50	13.21	41.78	11.20		2.92

HO CHIEN

TITLE :

DUST COVER

DR : RON CHEN

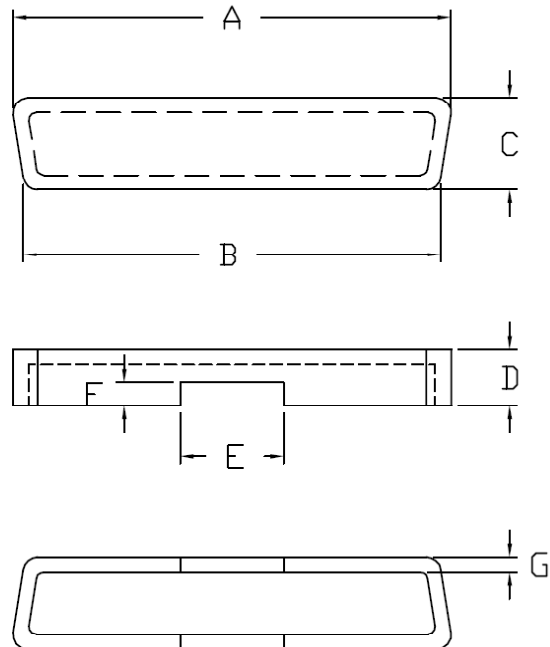
CHK : J.T.CHEN

APPD : C.Y.LIN

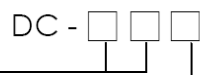
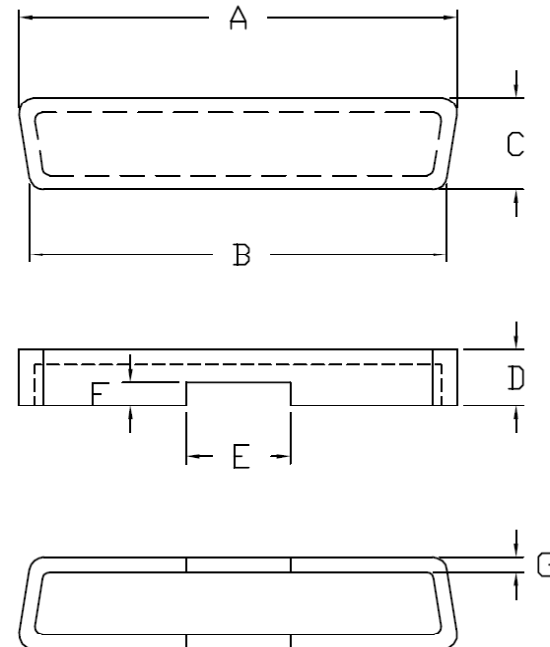
PAGE: 1 OF 2

HO CHIEN P/N. DC SERIES

DC - □□ P



DC - □□ S



**NO. OF CONTACT**

- 09=9Pin
- 15=15Pin
- 25=25Pin
- 37=37Pin
- 50=50Pin

**CONTACT TYPE**

- P=Male
- S=Female

MATERIAL  
 INSULATOR : P.E  
 COLOR : TRANSPARENT WHITE

Dimension ( mm )		Tolerance : ±0.2						
Position	Male ( P ) / Female ( S )	A	B	C	D	E	F	G
DC - 37	Male ( P )	59.8	55.1	12.4	7.6	14.0	3.2	1.5
	Female ( S )	57.9	53.3	11.3	7.8	12.6	2.5	1.7
DC - 50	Male ( P )	57.1	51.0	14.9	8.1	12.0	2.9	1.5
	Female ( S )	54.7	50.1	13.8	8.0	11.2	2.9	1.5

HO CHIEN

TITLE :

DUST COVER

DR :

CHK :

APPD :

PAGE :

2 OF 2

HO CHIEN P/N.

DC - SERIES