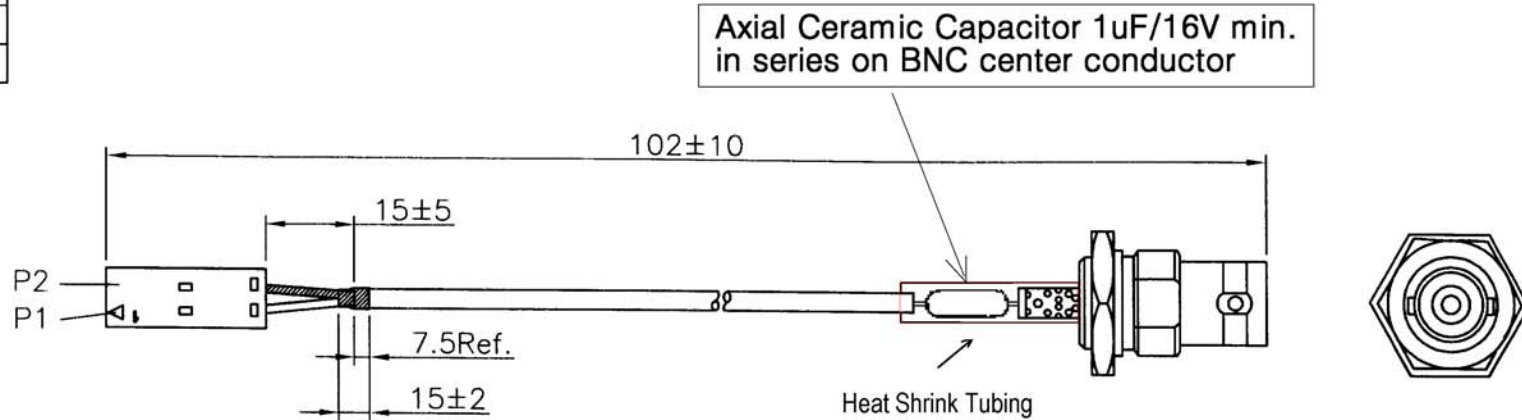


Tooling No.		Type
Head(in)		
Head(out)		
Core		
SR		



WIRING SCHEME:

Housing 2P	Wire color	BNC Female
P2	Shield	Open Circuit, Banded striped back - No connect to BNC, Heat Shrink Tubing over.
P1	(Option)	Center

NOTES:

- 1.CABLE: Mini Coax cable w UL, RG316 or other mini-coax cable w UL
- 2.HOUSING: HO CHIEN PN# 2550-1X2
- 3.TERMINAL: HO CHIEN PN# 2550-10GT
- 4.CONNECTOR:BNC female,bulkhead HO CHIEN PN# BNC-1341-50-DGN (Amphenol PN# 112575)
- 5.H/S TUBE:Black (UL APPROVED)
- 6.Molding Material:BLACK PVC.
7. Add Axial Ceramic Capacitor 1uF/16V min. in series on BNC center conductor

HO CHIEN					
PART NO.	CA-C4113-0002B			DATE	1/7/2005
DRAWING NO.		REV.	E	DRAWN	Luomi
CUSTOMER P/N		SCALE	NON	CHECKED	Jane
TOLERANCE	.X ±0.5	UNIT	mm	APPROVED	Sail
	.XX ±0.2				

	D	BNC Conn. from panel mount type to bulkhead Solder type	06/07/'04
	C	BNC Conn. from male to female type	05/28/'04
	B	Add BNC plug and change cable structure	05/14/'04
AREA	REV.	DESCRIPTION	DATE