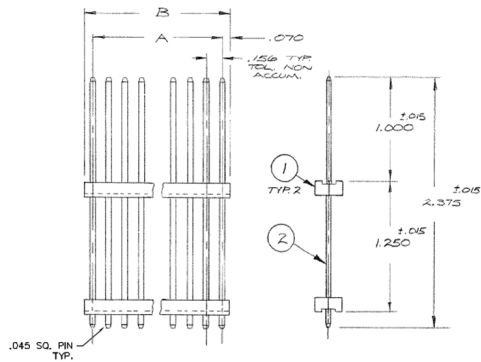
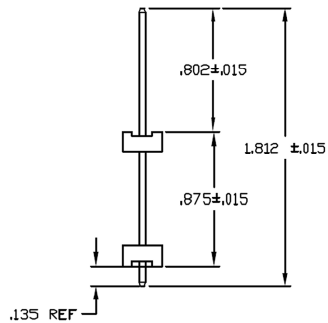
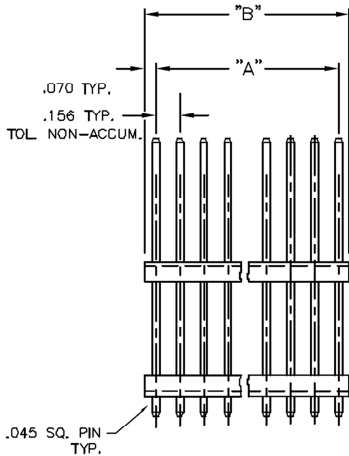


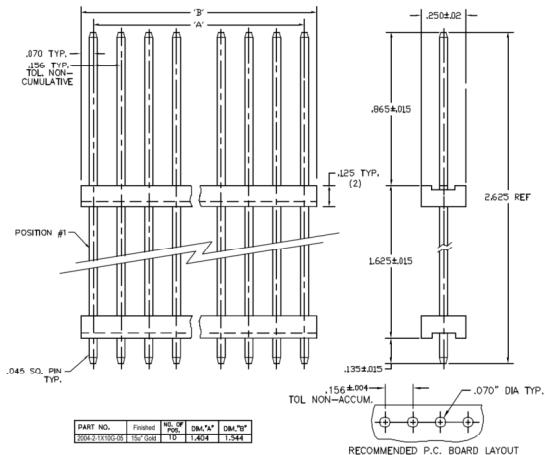
	Position	Finished
PN# 2004-2-1X15T-01	15	Tin
PN# 2004-2-1X10G-04	10	15u" Gold
PN# 2004-2-1X10G-05	10	15u" Gold



PART NO	Finished	NO. OF POS.	DIMENSION "A"	DIMENSION "B"
2004-2-1X15T-01	Tin	15	2.184	2.324



PART NO.	Finished	NO. OF POS.	DIM. "A"	DIM. "B"
2004-2-1X10G-04	15u" Gold	10	1.404	1.544



PART NO.	Finished	NO. OF POS.	DIM. "A"	DIM. "B"
2004-2-1X10G-04	15u" Gold	10	1.404	1.544

RECOMMENDED P.C. BOARD LAYOUT