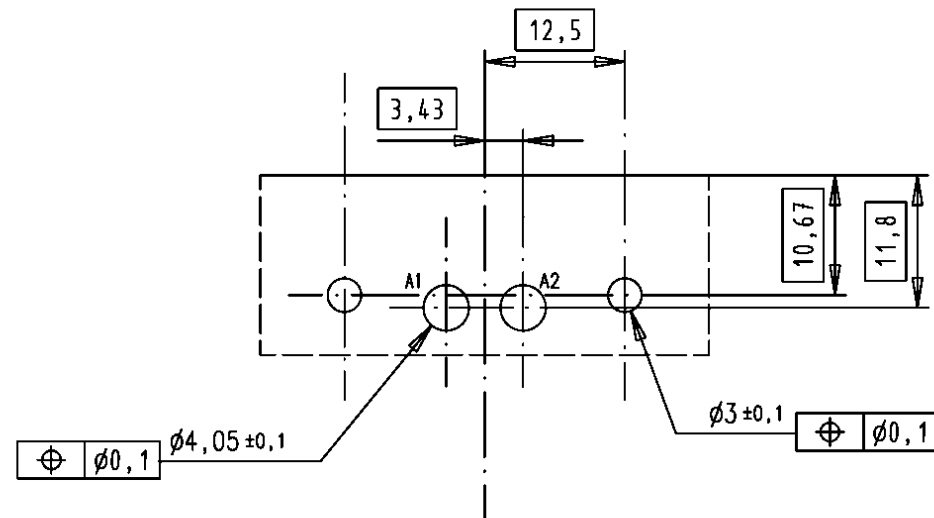


PCB layout, component side:



D-sub, angled, female,
2W2C, 40A power contacts,
with brackets, board locks
and clinch nuts

Maßstab/
Scale

1,5:1

HO CHIEN
www.hochien.com

1841-V2TAB-0002 (Gold Flash)
1841-V2TDB-0002 (30u" Gold Plating)

Blatt/ Page

1 / 1

Sub.