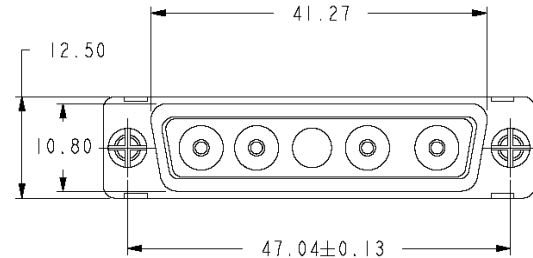
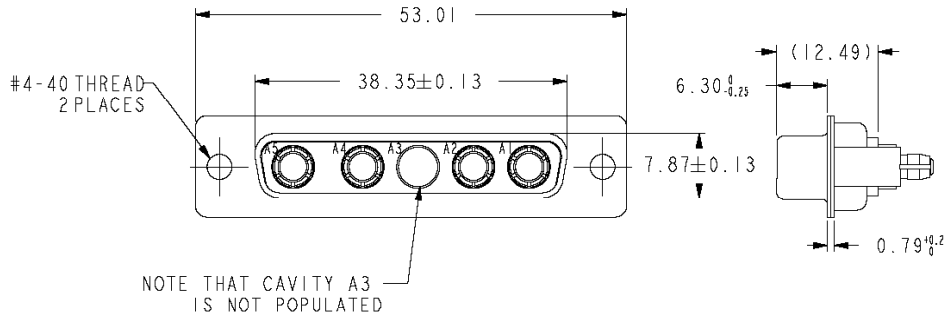
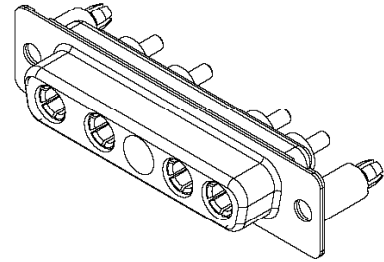
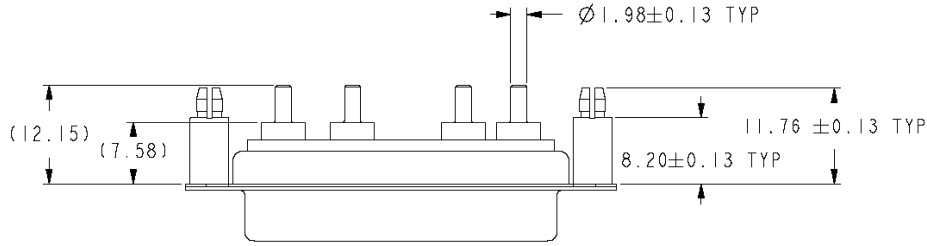
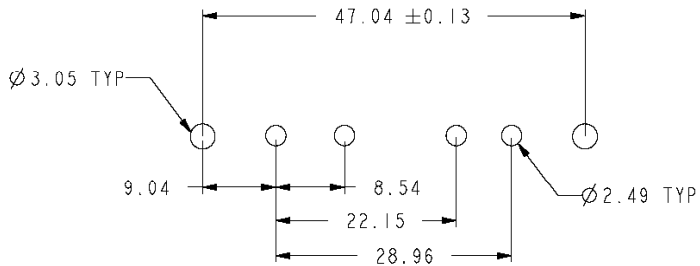


HO CHIEN

PN# 1611-55Z0B-0001



NOTE THAT CAVITY A3 IS NOT POPULATED



RECOMMENDED PCB LAYOUT

