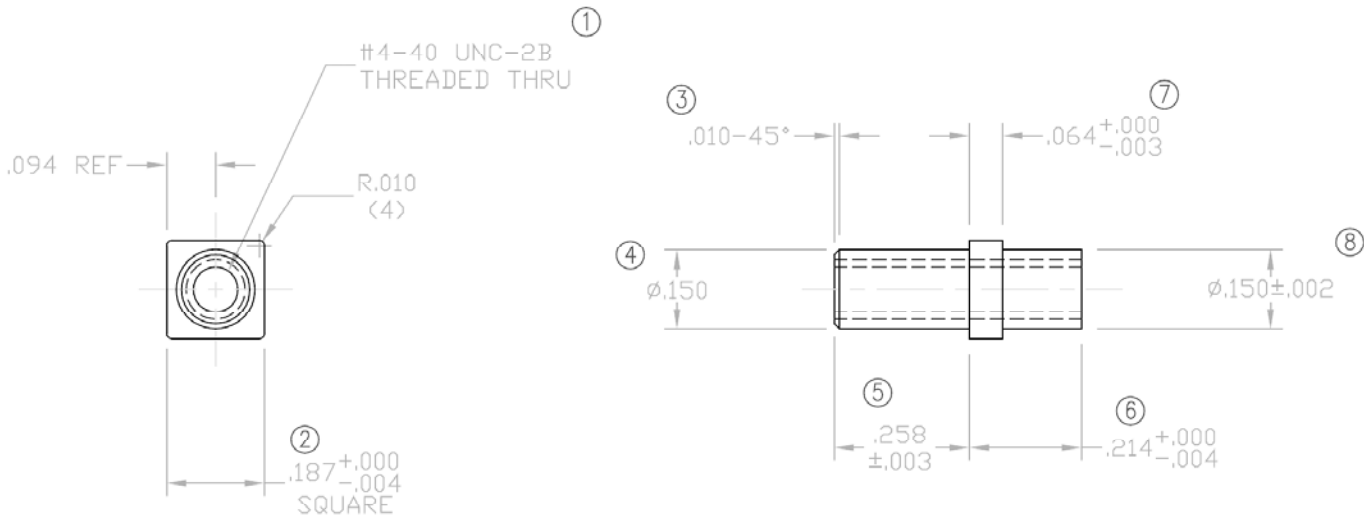


REVISIONS			
REV	DESCRIPTION	DATE	APPROVED
A	INITIAL RELEASE (ESR 2205)	01-29-02	JWM



## NOTES:

1. MATERIAL: BRASS CDA 260, 1/2 HARD,  
OR CDA 360, 1/2 HARD.
2. BREAK SHARP EDGES
3. FINISH: 50 microin OF NICKEL ENTIRE PART

⊗ DIMENSIONS NUMBERING FOR INCOMING INSPECTION.

AUTHENTICATION		
NAME	DATE	
DRAWN	JWM	01-02
CHECKED	VF	01-02
QUALITY	DKJ	01-02
APPROVED	JWM	01-02

ALL DIMENSIONS ARE IN INCHES.

TOLERANCES:

DECIMAL .XX ±.015  
.XXX ±.005

ANGLE ±1/2°

TITLE FEMALE #4-40 SQUARE  
STANDOFF FOR 5700 STANDARD PROFILE

**HO CHIEN**  
[www.hochien.com](http://www.hochien.com)

SIZE  
**B**

DWG. NO.

12062-02

SCALE NONE

ACAD FILE NO.

08-0001-0A

SHEET 1

OF 1