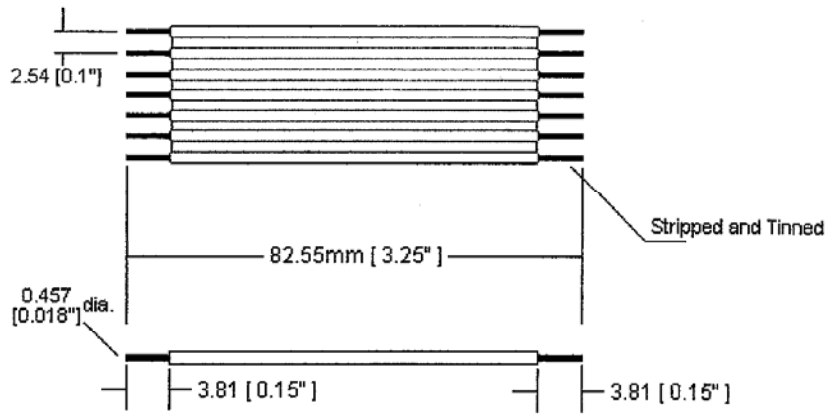


REVISION	DESCRIPTION	DATE	APP
0	SETUP	11/7/00	JL



NOTE I

MATERIAL
 Insulator: Polyvinyl Chloride (PVC)
 Conductor wire size: 26 AWG
 Color: Beige

NOTE II

ELECTRICAL PERFORMANCE
 Rated Voltage: 300V
 Insulating Resistance: Min. 1G Ohm/m
 Capacitance: 11.2 pF/FT
 Impedance: 120 Ohm
 Inductance: 0.14 uH/FT
 Propagation Delay Time: 1.35 ns/FT
 Temperature: +20°C to 105°C
 Flammability Rating: VW-1
 UL Style: 2051

26.	FC1-07-3.25-SD0
AWG	PART NUMBER

MATERIAL	DR	HO CHEN ENTERPRISE CO. LTD.
SEE NOTE I	CHK	
ELECTRICAL PERFORMANCE	APPD	FLAT RIBBON CABLE 2.54mm [1"] CTR. 26 AWG. 0.457mm [0.018"] DIA.; 82.55mm [3.25"] / STRIPPED AND TINNED
SEE NOTE II	APPD	