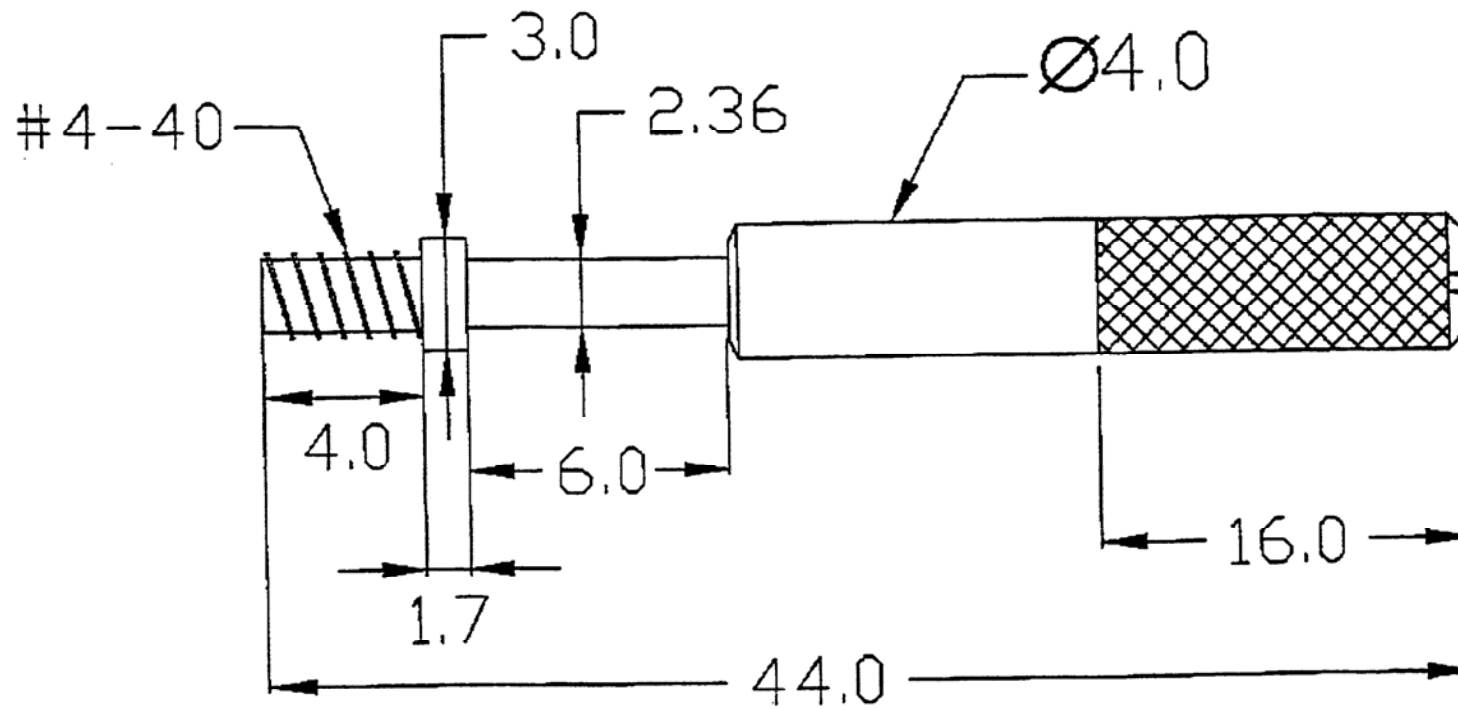


# Thumbscrew #4-40

PART NUMBER: S018-1



Material: Steel

TOLERANCE  $\pm 0.1$