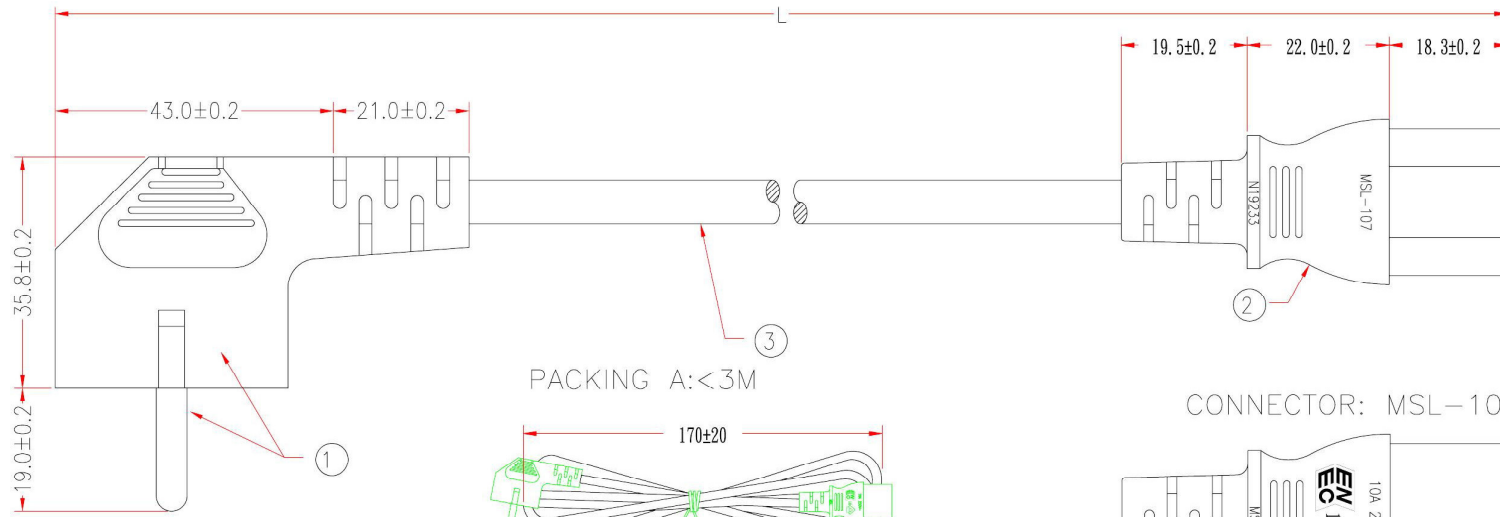


P1: M-010

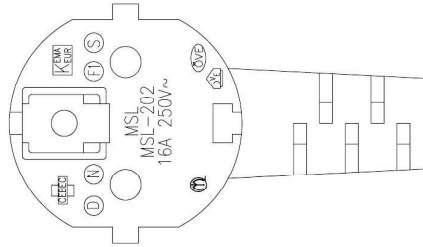
P2: M-005

Customer No.: No.4

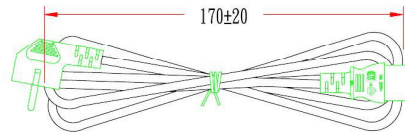
P1



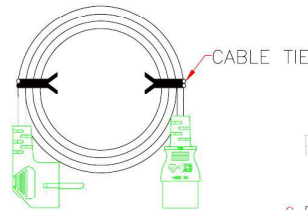
PLUG: MSL-202



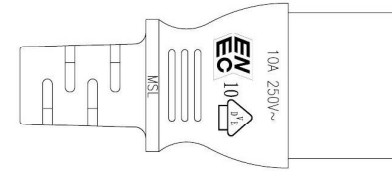
PACKING A: <3M



PACKING B: >3M



CONNECTOR: MSL-107



P2

MARKING:

H05W-F 3G 0.75mm² D S N FI OVE KEMA-KEUR IEMMEQU <VDE> +



* NOTE: All relevant materials are complied with RoHS directive .

P1	P2	
L	L	BROWN
N	N	BLUE
E	E	GREEN/YELLOW

3	H05 V V-F 3G 0.75mm ² , GTSA-3, OD6.8mm, JACKET BLACK, DRAWING No. EPH5V0107503C-004	L-20mm	M304
2	MOLDED PVC 45P, COLOR BLACK		M304
	BRACKET: YS-003	1	M767
1	TERMINAL: 2x4mm, 98744BS-0/A	3	M257
	MOLDED PVC 45P, COLOR BLACK		M304
1	BRACKET: 98651A	1	M257
	No.	DESCRIPTION	Q'TY Supplier

APPROVED		Ho Chien www.hochien.com		Unless Otherwise SPEC. Tolerances: 0. ±0.5 .0 ±0.3 .00 ±0.1
CHECKED		DRAWN NAME	POWER SUPPLY CORDS & CORDS SETS	
DRAWING		PRODUCT NO.	POC-106EU-G	

REV.1 MODIFY P2 MODEL WORD
NOTE: Cable Length Unless Otherwise Spec. Tolerances: Under 6FT ±25mm; Another ±50mm

UNIT: mm