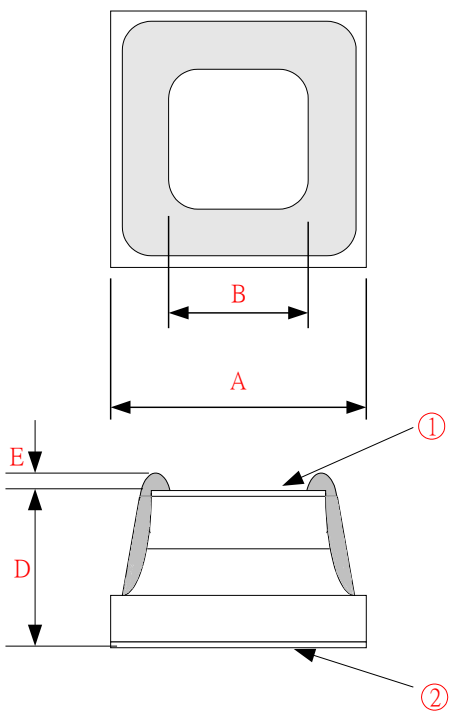


Product	Type										
Ultra Fast Rectifier Diodes  Top Au ①  Bottom Au ②	GPWH54610-4-01-3RD  										
Dimension in mils  <table border="1" data-bbox="70 473 573 791"> <thead> <tr> <th></th> <th>Dimension</th> </tr> </thead> <tbody> <tr> <td>A</td> <td>215±2</td> </tr> <tr> <td>B</td> <td>188(min.)</td> </tr> <tr> <td>D</td> <td>10.5±1</td> </tr> <tr> <td>E</td> <td>1.5.±1</td> </tr> </tbody> </table>		Dimension	A	215±2	B	188(min.)	D	10.5±1	E	1.5.±1	
	Dimension										
A	215±2										
B	188(min.)										
D	10.5±1										
E	1.5.±1										

**Absolute Maximum Ratings (Ta=25°C)**

PEAK REVERSE VOLTAGE VRM .. 1000 V

FORWARD SURGE CURRENT IFSM...450 A STORAGE TEMPERATURE RANGE Tstg .. -65~150°C

**Electrical Characteristics**

Item	Symbol	Test Condition	Standard
FORWARD VOLTAGE(for cell type)	VF	IF=50A	1.85 V (MAX)
REVERSE CURRENT	IR	VR=1000V	10µA (MAX)
REVERSE RECOVERY TIME	TRR	RG1	100ns
BREAKDOWN VOLTAGE	BVR	IR=10µA	1020V (MIN)

Quality Yield Assurance per wafer: 70%