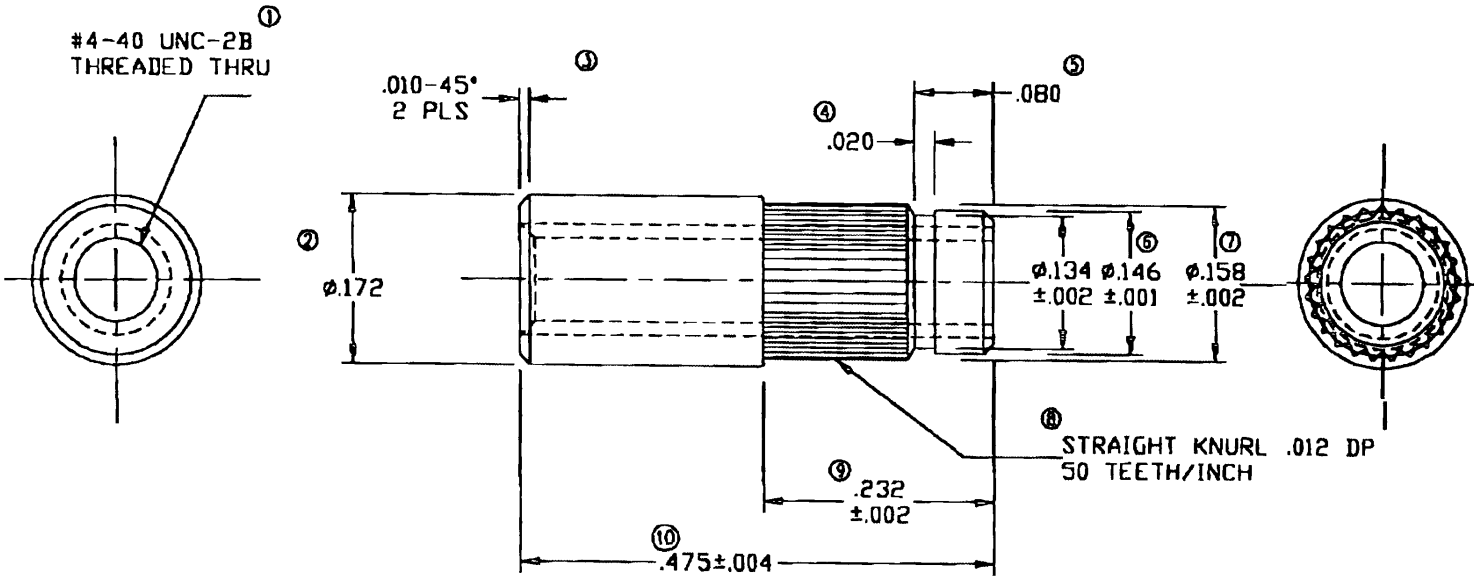


REVISIONS			
REV	DESCRIPTION	DATE	APPROVED
A1	INITIAL RELEASE (ESR 2205)	02-20-02	JWM
B	ADDED ".012 DP" (STRAIGHT KNURL) .134 DIA	03.11.02	JD



NOTES:

1. MATERIAL: BRASS CDA 260
2. BREAK SHARP EDGES
3. FINISH: 50 micrain OF NICKEL ENTIRE PART

(X) DIMENSIONS NUMBERING FOR INCOMING INSPECTION.

AUTHENTICATION		
NAME		DATE
DRAWN	JWM	01-02
CHECKED	FD	01-02
QUALITY	DKJ	01-02
APPROVED	JWM	01-02

THE INFORMATION, DATA AND/OR SPECIFICATIONS CONTAINED ON THIS DOCUMENT ARE PROPRIETARY TO A.W. INDUSTRIES AND MAY NOT BE COPIED, DUPLICATED OR DISCLOSED IN PART OR WHOLE WITHOUT AUTHORIZATION IN WRITING FROM A.W. INDUSTRIES.

ALL DIMENSIONS ARE IN INCHES.

TOLERANCES:

DECIMAL .XX ±.015
.XXX ±.005

ANGLE ±1/2

TITLE FEMALE #4-40- ROUND STANDOFF FOR STANDARD HEIGHT

HO CHIEN
www.hochien.com

SIZE B	DWG. NO. CM-120543-B1003
SCALE NONE	ACAD FILE NO. 08-0041-0B SHEET 1 OF 1