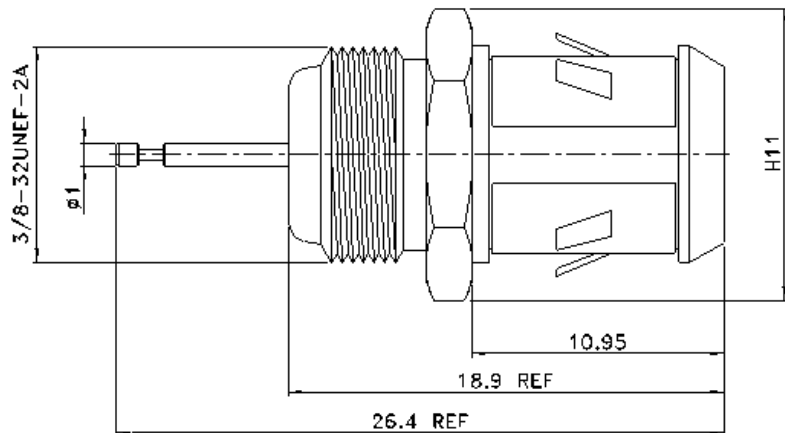


REV	DESCRIPTION\PER REQUEST	DRAWN	DATE



5	Sleeve	1	Beryllium	Nickel
4	Dielectric	1	Teflon	None
3	Dielectric	1	Teflon	None
2	Pin	1	Phos Bronze	Gold
1	Body	1	Brass	Nickel
NO	Description	Q'ty	Material	Finish

PART NO.	
APPROVED	DATE 04/05/08
CHECKED	DATE 04/05/06
DRAWN	DATE 04/05/06

* MAJOR DIMENSION UNLESS OTHERWISE NOTED TOLERANCES 0.5-6=±0.2 6-30=±0.4 30-120=±0.6 120-315=±1.0 ANGLES=±1°
SCALE 4/1 UNIT mm

HO CHIEN www.hochien.com	
TITLE G BULKHEAD RECEPTACLE JACK	
DRAWING NO. ASG-29006-75-TGN	REV A
FILE NO. W:\MOB\45\ASG\ASG-29006-75-TGN	