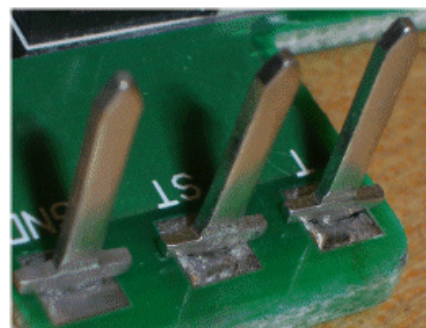
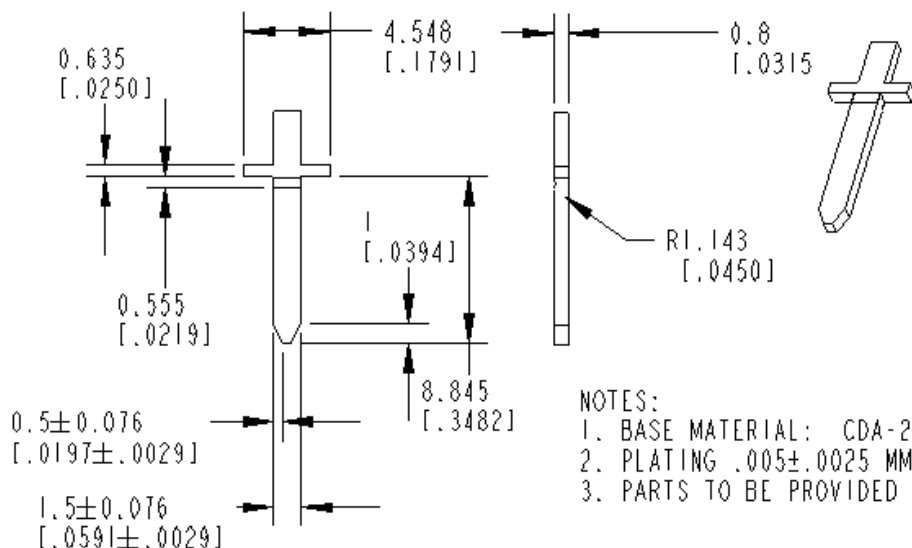


REV.	DESCRIPTION	EP/ECO	NAME/DATE	CHECKED BY: DATE
A	RELEASED FOR QUOTATION	2005-067	B.BEIER 04-21-2006	- .



NOTES:

1. BASE MATERIAL: CDA-210 GILDING, EXTRA SPRING TEMPER
2. PLATING $.005 \pm .0025$ MM THICK TIN
3. PARTS TO BE PROVIDED IN REEL FORM, 3ea per carrier.

6146870	PART NUMBER	UNLESS OTHERWISE SPECIFIED TOLERANCE ON		HO CHIEN www.hochien.com		MATERIAL- PURCHASED	SHEET 1 OF 1
		DECIMALS OF A MM	ANGLES				
		$.XX \pm .25$	$.XXX \pm .127$	$\pm 1^\circ$	TITLE- CONNECTOR PIN		TOOL NO
		DIM. ARE MM	SCALE 3.000				N/A
		DRAWN BY: B.BEIER	DATE: 04-21-2006		DWG NO A 6146870		REV A
	CREATED ON : PRO ENGINEER						