

Ho Chien

Date: 3/2/06'

RoHs Compliant

0.045" Square Pin

0.156" Pitch

10 position, single Row

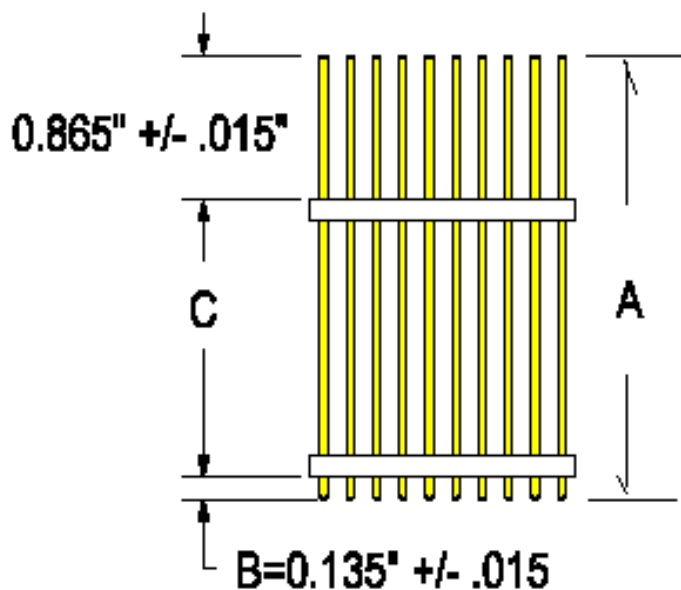
Insulation 30% Glass Fiber

Polyester UL94V0

0.126" Thickness,

15u" Gold plating all post

Over 50u" Ni



PN#	A	B	C
2004-2-1X10G-02	1.88"	.135"	.870"
2004-2-1X10G-03	1.67"	.135"	.625"